

Product Name:	Reservoir
Product Application:	For liquid storage in biological experiments. Ideal for liquid storage in high-throughput instruments experimental platforms, suitable for small volume Automatic Tips used in high flux instrument.
Product Materials:	polypropylene (PP). Meets USP, Class VI standards
product Specifications:	Temperature range: stored at room temperature Shelf life: 5 Years after date of production (ensure package is in good)
Sterilization:	No.
Pyrogens:	Non-Pyrogenic
RNase/DNase Testing:	DNase/RNase free
BSE/TSE:	These products are deemed animal free.
Performance Testing:	Each manufacturing lot is sampled and tested in accordance with standard operating procedures. Appearance inspection: pass Packaging inspection: pass
Features	<ol style="list-style-type: none"> 1. Used high quality, imported PP material for high stability, ensuring no chemical reactions with test reagents. 2. Low profile design, suitable for small volume robotic tips used in high flux instrument. 3. In the automatic pipetting process, the reservoir can perfectly overcome the surface tension of the liquid and minimize residual liquid. 4. Can be stored at -80°C. 5. Compatible with DMSO and inert to water. 6. Low heavy metal content. 7. Product dimensions conform to ANSI/SBS Standards.

Product Range

Cat. No.	Product Description	/Pack	/Case
360101	Reservoir, Multi Well, 8 Channel Troughs, High Profile (22mL, No Cap), Non-Sterile	5	50
360102	Reservoir, Multi Well, 12 Channel Troughs, High Profile (14mL, No Cap), Non-Sterile	5	50
360103	Reservoir, Single Well, 96 Channel Troughs, High Profile (195mL, No Cap), Non-Sterile	5	50
360104	Reservoir, Single Well, 384 Channel Troughs, High Profile (185mL, No Cap), Non-Sterile	5	50

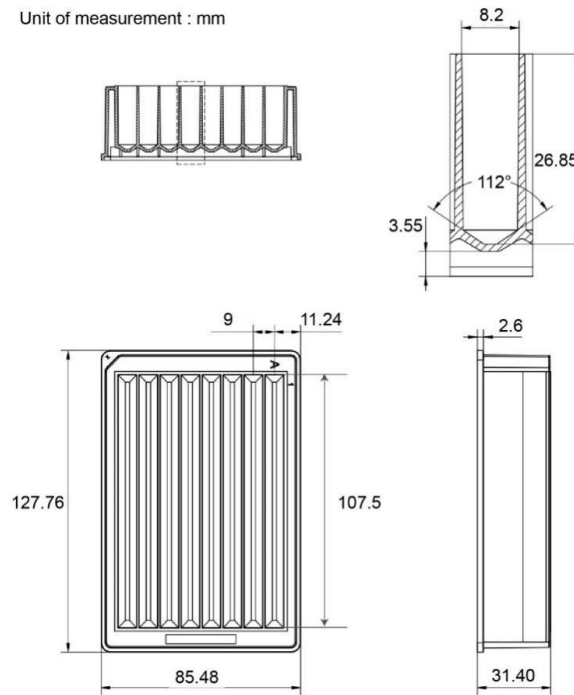
Technical Drawing

Head Office
 No. 530, Xida Road, Meicun Industrial Park, Xinwu District, Wuxi, Jiangsu, China
 Tel: +86+ 510-6800 6788 Email: info@nest-wuxi.com
 Online: www.cell-nest.com

Overseas
 NEST USA (New Jersey/ Phoenix)
 NEST scientific 株式会社 (Yokohama, Japan)
 NEST Scientific Europe B.V (Netherlands)
 Nest Scientific (MENA) FZE (Sharjah, United Arab Emirates)

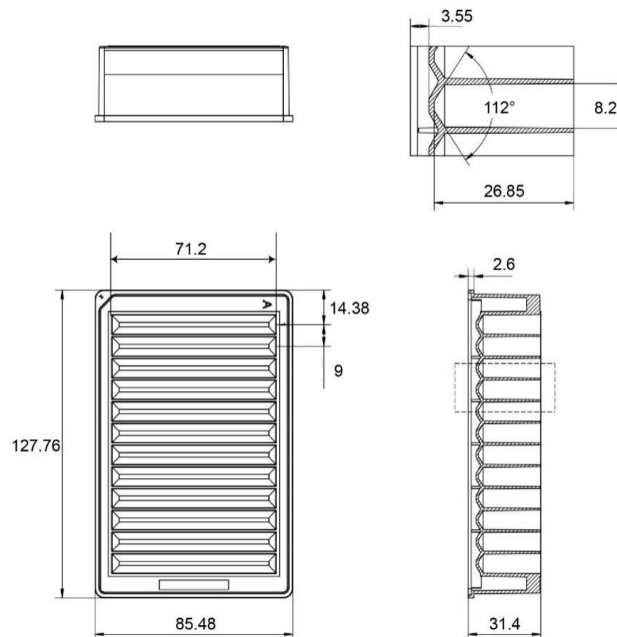
8 Channel Number

Unit of measurement : mm



12 Channel Number

Unit of measurement : mm

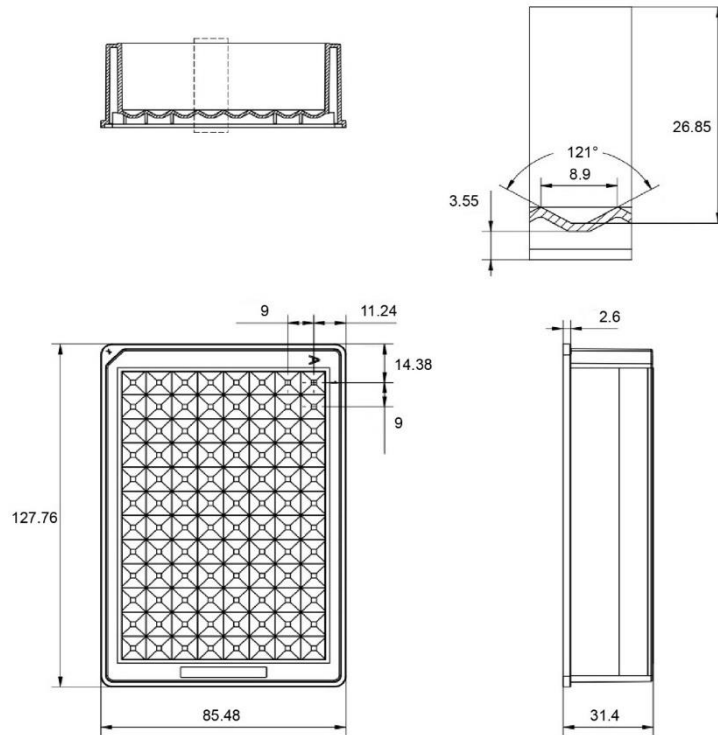


Head Office No. 530, Xida Road, Meicun Industrial Park, Xinwu District, Wuxi, Jiangsu, China
 Tel: +86+ 510-6800 6788 Email: info@nest-wuxi.com
 Online: www.cell-nest.com

Overseas NEST USA (New Jersey/ Phoenix)
 NEST scientific 株式会社 (Yokohama, Japan)
 NEST Scientific Europe B.V (Netherlands)
 Nest Scientific (MENA) FZE (Sharjah, United Arab Emirates)

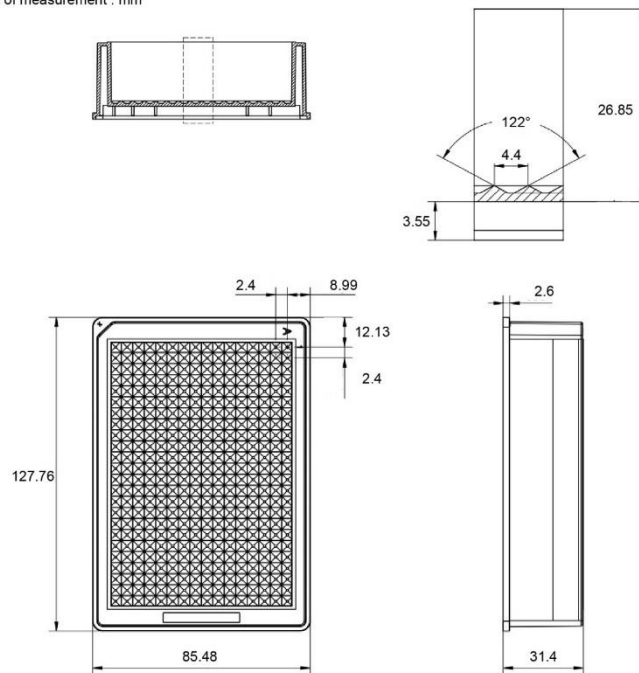
96 Channel Number

Unit of measurement : mm



384 Channel Number

Unit of measurement : mm



Head Office No. 530, Xida Road, Meicun Industrial Park, Xinwu District, Wuxi, Jiangsu, China
 Tel: +86+ 510-6800 6788 Email: info@nest-wuxi.com
 Online: www.cell-nest.com

Overseas NEST USA (New Jersey/ Phoenix)
 NEST scientific 株式会社 (Yokohama, Japan)
 NEST Scientific Europe B.V (Netherlands)
 Nest Scientific (MENA) FZE (Sharjah, United Arab Emirates)