

<b>Product Name:</b>	<b>Petri Dish</b>
<b>Product Application:</b>	Suitable for bacterial culture.
<b>Product Materials:</b>	Polystyrene (PS)
<b>product Specifications:</b>	Temperature range: stored at room temperature Shelf life: 5 Years after date of production ( ensure package is in good )
<b>Sterilization:</b>	<b>Yes.</b> Sterilized by E-beam, Sterility Assurance Level: SAL=10 <sup>-6</sup> . The product has been irradiated and dosimetrically released based on ANSI/AAMI/ISO 11137
<b>Pyrogens:</b>	Non-Pyrogenic
<b>BSE/TSE:</b>	These products are deemed animal free.
<b>Performance Testing:</b>	Each manufacturing lot is sampled and tested in accordance with standard operating procedures. Appearance inspection: pass Packaging inspection: pass
<b>Features</b>	<ol style="list-style-type: none"> <li>1. High clarity polystyrene</li> <li>2. Flat transparent surface</li> <li>3. Numeric mark on the bottom for easy identification</li> <li>4. PA/PE packaging</li> <li>5. Vent for gas exchange</li> <li>6. Stackable for easy storage and handling</li> <li>7. Non-pyrogenic</li> <li>8. Sterilized by E-Beam, SAL=10<sup>-6</sup></li> </ol>

## Product Range

Cat. No.	Spec(mm)		Volume (mL)	/Pack	/Case
	Diameter	Height			
706011	35	12	5	20	500
754001	60	15	15	20	500
722011	65	15	/	20	500
752001(US: 753001)	90	15	40	20	500
752002 (Double Packaged)	90	15	40	20	500

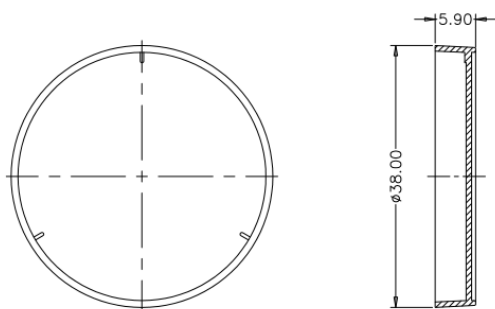
**Head Office** No. 530, Xida Road, Meicun Industrial Park, Xinwu District, Wuxi, Jiangsu, China  
 Tel: +86+ 510-6800 6788 Email: [info@nest-wuxi.com](mailto:info@nest-wuxi.com)  
 Online: [www.cell-nest.com](http://www.cell-nest.com)

**Oversea** NEST USA (New Jersey/ Phoenix)  
 NEST scientific 株式会社 (Yokohama, Japan)  
 NEST Scientific Europe B.V (Netherlands)  
 Nest Scientific (MENA) FZE (Sharjah, United Arab Emirates)

752003	90	15	40	5	500
752004	90	15	40	10	500
752011(US: 753011)	90	15	20 x 2 compartments	20	500
752021(US: 753021)	90	15	13 x 3 compartments	20	500
752031(US: 753031)	90	15	10 x 4 compartments	20	500
752401	100	20	40	20	300
755001	150	15	60	5	100

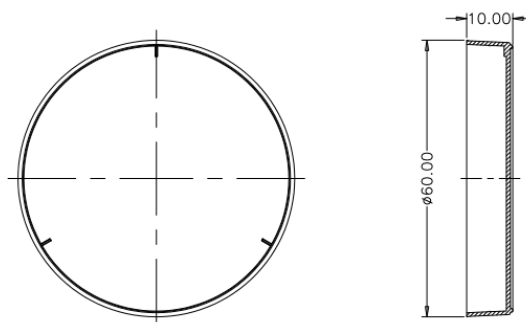
## Technical Drawing

### 35mm Petri Dishes

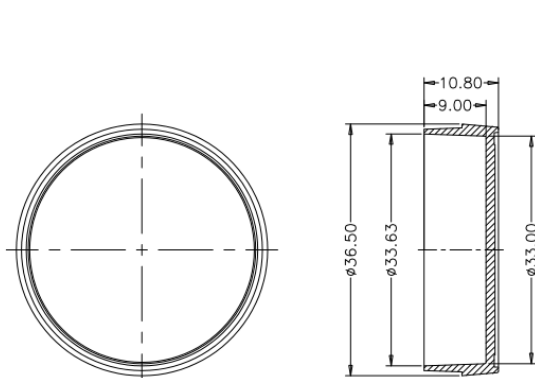


Cap

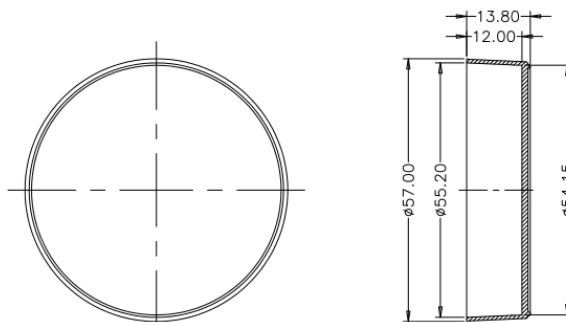
### 60mm Petri Dishes



Cap

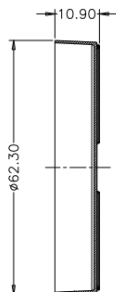
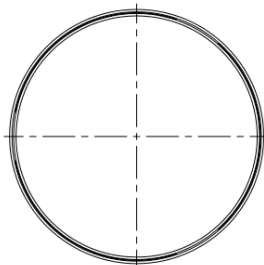


Bottom



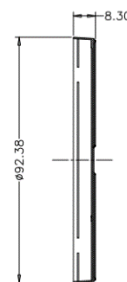
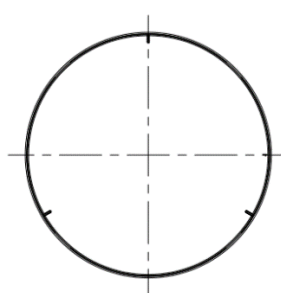
## 65mm Petri Dishes

Cap

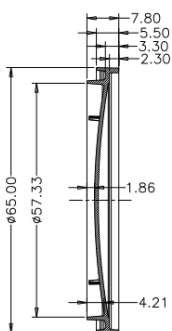
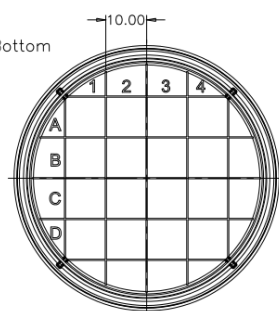


## 90mm Petri Dishes

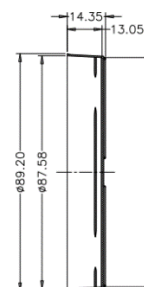
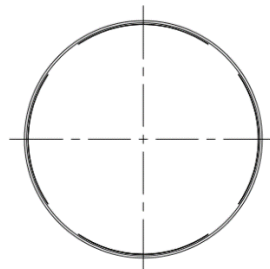
Cap



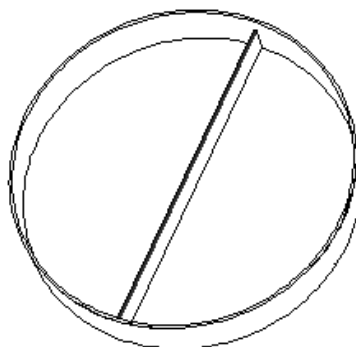
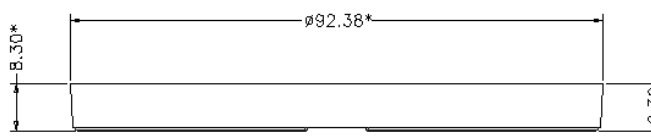
Bottom



Bottom



## 90mm Petri Dishes(2 compartments)



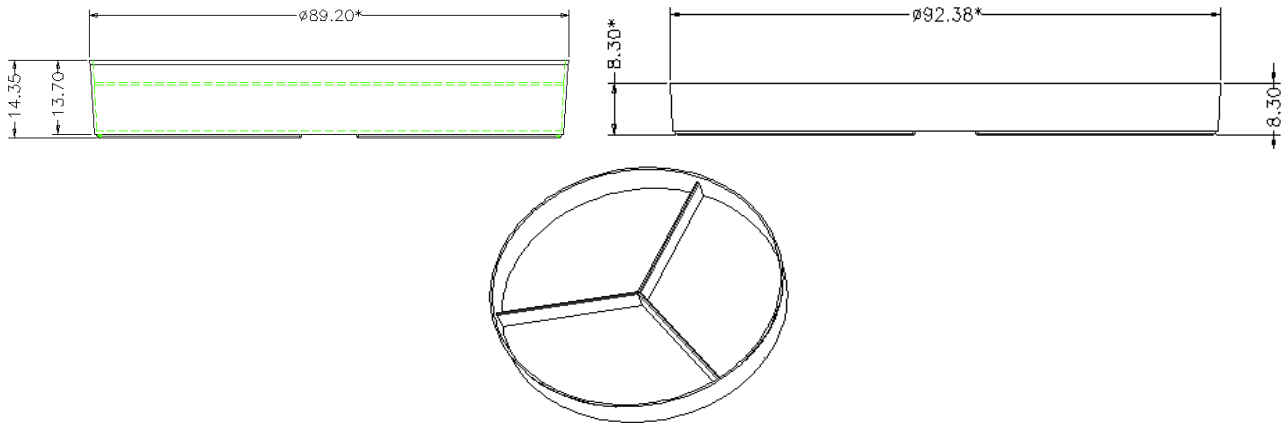
### Head Office

No. 530, Xida Road, Meicun Industrial Park, Xinwu District, Wuxi, Jiangsu, China  
 Tel: +86+ 510-6800 6788 Email: [info@nest-wuxi.com](mailto:info@nest-wuxi.com)  
 Online: [www.cell-nest.com](http://www.cell-nest.com)

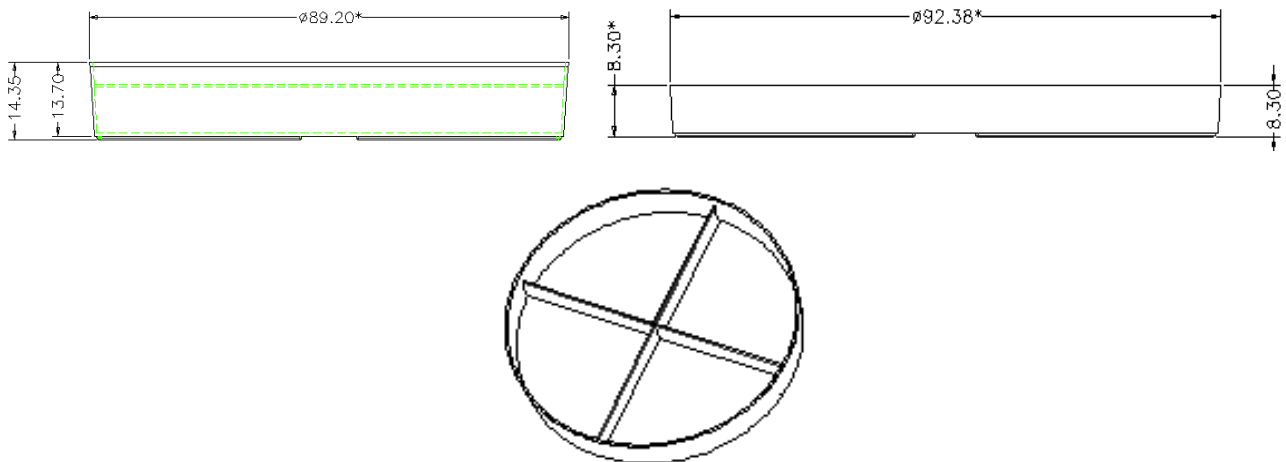
### Oversea

NEST USA (New Jersey/ Phoenix)  
 NEST scientific 株式会社 (Yokohama, Japan)  
 NEST Scientific Europe B.V (Netherlands)  
 Nest Scientific (MENA) FZE (Sharjah, United Arab Emirates)

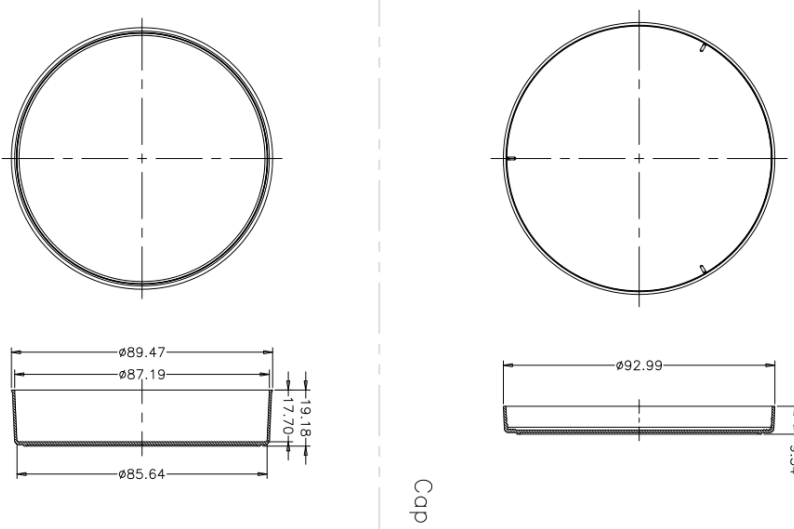
90mm Petri Dishes(3 compartments)



90mm Petri Dishes(4 compartments)



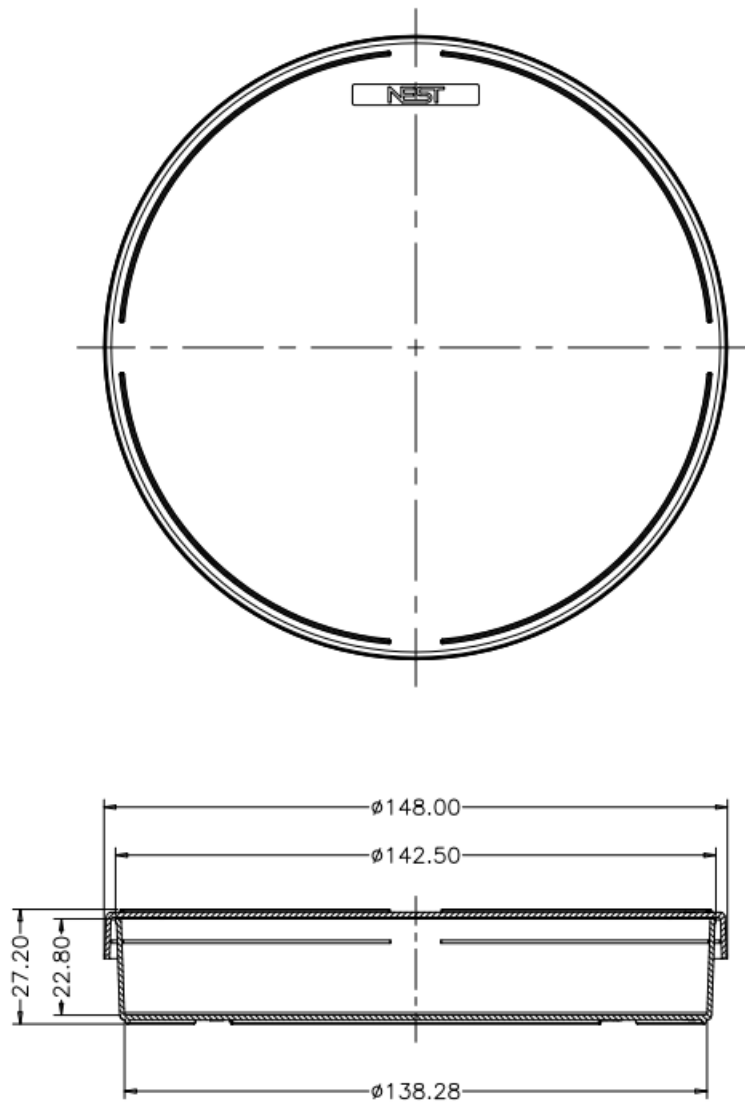
100mm Petri Dishes



**Head Office** No. 530, Xida Road, Meicun Industrial Park, Xinwu District, Wuxi, Jiangsu, China  
 Tel: +86+ 510-6800 6788 Email: [info@nest-wuxi.com](mailto:info@nest-wuxi.com)  
 Online: [www.cell-nest.com](http://www.cell-nest.com)

**Oversea** NEST USA (New Jersey/ Phoenix)  
 NEST scientific 株式会社 (Yokohama, Japan)  
 NEST Scientific Europe B.V (Netherlands)  
 Nest Scientific (MENA) FZE (Sharjah, United Arab Emirates)

150mm Petri Dishes



**Head Office** No. 530, Xida Road, Meicun Industrial Park, Xinwu District, Wuxi, Jiangsu, China  
Tel: +86+ 510-6800 6788 Email: [info@nest-wuxi.com](mailto:info@nest-wuxi.com)  
Online: [www.cell-nest.com](http://www.cell-nest.com)

**Oversea** NEST USA (New Jersey/ Phoenix)  
NEST scientific 株式会社 (Yokohama, Japan)  
NEST Scientific Europe B.V (Netherlands)  
Nest Scientific (MENA) FZE (Sharjah, United Arab Emirates)