

Product Name:	High-Efficient Erlenmeyer Flask (with tube)
Product Application:	<p>In order to meet customer needs, NEST this year grandly launched a 5L Efficient Erlenmeyer Flask with tube, eliminating customer pipeline design, assembly, sterilization and other operations and improving production efficiency.</p> <p>Ideal for shaker culture applications. Can be used for scale-up culture of suspension cells.</p> <p>High-efficiency, large-volume culture flasks allow cells to show strong viability with large expression amount of proteins in the culture of mammalian cells and insect cells. During the culturing process, the use rate of the shaker is significantly increased, and the survival rate and viability of cells are both dramatically.</p>
Product Materials:	<p>polycarbonate (PC) + HDPE (cap) + TPE Tube, meets USP, Class VI standards.</p> <p>Handle: Nylon</p>
product Specifications:	<p>Temperature range: stored at room temperature</p> <p>Shelf life: 3 Years after date of production (ensure package is in good)</p>
Sterilization:	<p>Yes.</p> <p>Sterilized by E-beam, Sterility Assurance Level: SAL=10⁻⁶. The product has been irradiated and dosimetrically released based on ANSI/AAMI/ISO 11137</p>
Pyrogens:	Non-Pyrogenic
RNase/DNase:	DNase/RNase free
BSE/TSE:	These products are deemed animal free.
Performance Testing:	<p>Each manufacturing lot is sampled and tested in accordance with standard operating procedures.</p> <p>Appearance inspection: qualified Sealing test: qualified</p> <p>Cell culture test: qualified Assembly inspection: qualified</p> <p>Packaging inspection: qualified</p>
Features	<p>5L High-Efficient Erlenmeyer Flask (with tube):</p> <ol style="list-style-type: none"> It is pre-installed on the High Efficiency Erlenmeyer Flask, which realizes the closed transfer of liquid and reduces the risk of external contamination during the process of capping and screwing. The Transfer Cap comes with a large filter membrane, high oxygen flux, and no external air filter is required to ensure high-density culture of cells, while the overall height is reduced, the applicable range of the shaker is wider, and the utilization rate of the shaker is increased. <p>2L&3L&5L High-Efficient Erlenmeyer Flask, Bi-directional Transfer Cap with TPE Tube:</p>

1. It is pre-installed on the High Efficiency Erlenmeyer Flask, which realizes the closed transfer of liquid and reduces the risk of external contamination during the process of capping and screwing.
2. The transfer cover is Seal cap and connected with a 33mm diameter syringe filter with 0.22µm PTFE. After the liquid transfer is completed, it should be replaced with a Vent cap to ensure the oxygen supply requirement for high-density culture of cells to proliferate.

Product Range

Cat. No.	Product name	Tube Information	Tube Length	/Case
C10122-AZB050A	2 L High-Efficient Erlenmeyer Flask, Bi-directional Transfer Cap with TPE Tube	TPE Thermoplastics Pipes, Pipe Diameter: 1/8" ID, 1/4" OD, Pipe Connect: Aseptic welding / Heat-seal	50cm	4
C10222-AZB050A	3 L High-Efficient Erlenmeyer Flask, Bi-directional Transfer Cap with TPE Tube		50cm	4
C10322-AZB050A	3 L Wide-mouth High-Efficient Erlenmeyer Flask, Bi-directional Transfer Cap with TPE Tube		50cm	4
C10422-AZB090A	5 L High-Efficient Erlenmeyer Flask, Bi-directional Transfer Cap with TPE Tube		90cm	4
C20122-AZB050A	2 L High-Efficient Erlenmeyer Flask with Baffles, Bi-directional Transfer Cap with TPE Tube		50cm	4
C20222-AZB050A	3 L High-Efficient Erlenmeyer Flask with Baffles, Bi-directional Transfer Cap with TPE Tube		50cm	4
C20322-AZB050A	3 L Wide-mouth High-Efficient Erlenmeyer Flask with Baffles, Bi-directional Transfer Cap with TPE Tube		50cm	4
C10442-AKA060A (former787081)	5 L High-Efficient Erlenmeyer Flask (with tube)		30cm+30cm	4

Product Detail Drawing:

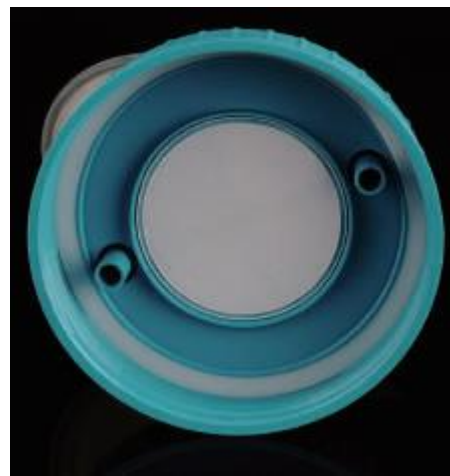
New Product(C10442-AKA060A/787081): 5L High-Efficient Erlenmeyer Flask with Tube



- PTFE piping, touch bottom.
- Reserved mouth, have been sealed, for other
- TPE thermoplastic tube, for liquid transfer, can be aseptically welded in conventional environments by professional instrument.
- Syringe Filter 0.22um PTFE, 1 pcs
- Tube Clamp, 2 pcs



VS



New Product(C10442-AKA060A/787081): 5L High-Efficient Erlenmeyer Flask with Tube Transfer Cap

5L Multi-function

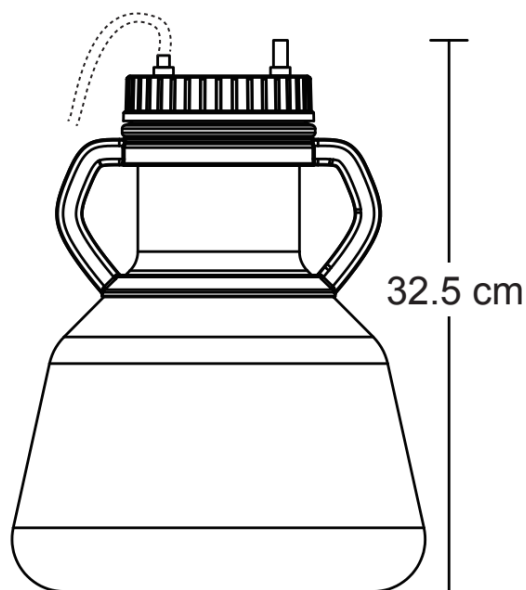
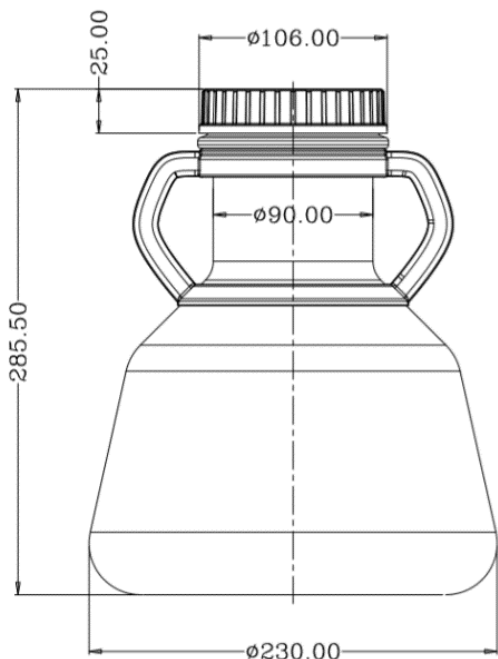
Membrane area: 5361.9mm²

Membrane area: 4778.4mm²

Head Office No. 530, Xida Road, Meicun Industrial Park, Xinwu District, Wuxi, Jiangsu, China
 Tel: +86+ 510-6800 6788 Email: info@nest-wuxi.com
 Online: www.cell-nest.com

Oversea NEST USA (New Jersey/ Phoenix)
 NEST scientific 株式会社 (Yokohama, Japan)
 NEST Scientific Europe B.V (Netherlands)
 Nest Scientific (MENA) FZE (Sharjah, United Arab Emirates)

Technical Drawing



With Tube

Product picture:



Bi-directional Transfer Cap with TPE Tube 5 L High-Efficient Erlenmeyer Flask, Bi-directional Transfer Cap with TPE Tube

Head Office No. 530, Xida Road, Meicun Industrial Park, Xinwu District, Wuxi, Jiangsu, China
 Tel: +86+ 510-6800 6788 Email: info@nest-wuxi.com
 Online: www.cell-nest.com

Oversea NEST USA (New Jersey/ Phoenix)
 NEST scientific 株式会社 (Yokohama, Japan)
 NEST Scientific Europe B.V (Netherlands)
 Nest Scientific (MENA) FZE (Sharjah, United Arab Emirates)