

Product Name:	Disposable Sampler, Saliva Collection Kit without Solution		
Product Application:	This product is used to collect saliva samples and to facilitate sample preservation and transportation. No preservation solution.		
Product Materials:	Polypropylene (PP) Meets <i>USP, Class VI standards.</i>		
product Specifications:	Temperature range: stored at room temperature Shelf life: 3 Years after date of production (ensure package is in good)		
Sterilization:	Yes. Sterilized by E-beam, Sterility Assurance Level: SAL=10 ⁻⁶ . The product has been irradiated and dosimetrically released based on ANSI/AAMI/ISO 11137		
BSE/TSE:	These products are deemed animal free.		
Performance Testing:	Each manufacturing lot is sampled and tested in accordance with standard operating procedures. Appearance inspection: qualified Sealing test: qualified Freeze test: qualified Packaging inspection: qualified		
Features	<ol style="list-style-type: none"> 1. USP VI Polypropylene vials. 2. Collection process is painless and safe. 3. The humanized design of funnel conforms to the mouth shape of human, making the collection process simple and easy. 4. Good sealing, effectively prevent leakage and contamination of specimens, easy to preserve and transport, safe and reliable. 5. The bottom of the collecting vial is conical, which is convenient for concentrated sample processing. 6. Bar codes are easy to manage digitally, and labels with writing areas are convenient for users to record information. 7. Sterile, RNase/DNase free, non-pyrogenic. 		

Product Range

Cat. No.	Product Description	/Pack	/Case
203102	Disposable Sampler, Saliva Collection Kit without Solution, Each Kit Includes a 10 mL Vial with a Threaded Funnel, Sterile Pack, 100 kits/case	1	100

Head Office No. 530, Xida Road, Meicun Industrial Park, Xinwu District, Wuxi, Jiangsu, China
 Tel: +86+ 510-6800 6788 Email: info@nest-wuxi.com
 Online: www.cell-nest.com

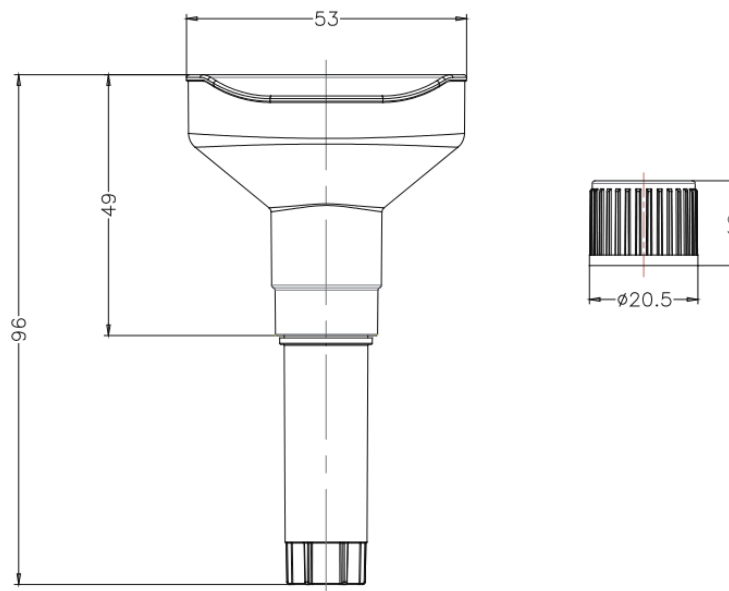
Oversea NEST USA (New Jersey/ Phoenix)
 NEST scientific 株式会社 (Yokohama, Japan)
 NEST Scientific Europe B.V (Netherlands)
 Nest Scientific (MENA) FZE (Sharjah, United Arab Emirates)

ISO9001 & ISO13485 & ISO11137

203101	Disposable Sampler, Saliva Collection Kit without Solution, Each Kit Includes a 5 mL Vial with a Threaded Funnel, Sterile Pack, 100 kits/case	1	100
203111	Disposable Sampler, Saliva Collection Kit without Solution, Each Kit Includes a 5 mL Vial with an Unthreaded Funnel, Sterile Pack, 100 kits/case	1	100
203112	Disposable Sampler, Saliva Collection Kit without Solution, Each Kit Includes a 10 mL Vial with an Unthreaded Funnel, Sterile Pack, 100 kits/case	1	100
203901	Unthreaded Funnel, Unsterilized	1	100

Technical Drawing

5 mL Vial with a Funnel

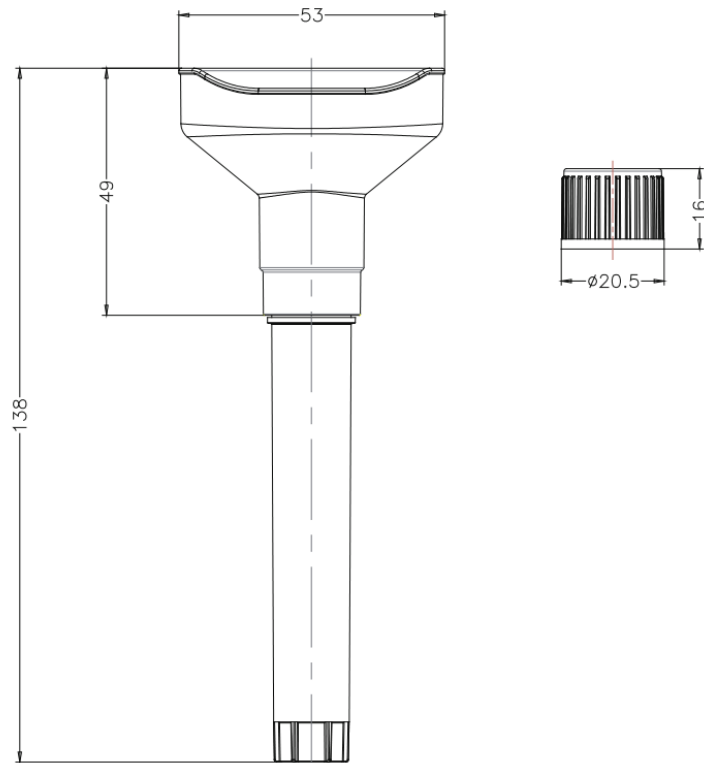


Head Office No. 530, Xida Road, Meicun Industrial Park, Xinwu District, Wuxi, Jiangsu, China
 Tel: +86+ 510-6800 6788 Email: info@nest-wuxi.com
 Online: www.cell-nest.com

Oversea NEST USA (New Jersey/ Phoenix)
 NEST scientific 株式会社 (Yokohama, Japan)
 NEST Scientific Europe B.V (Netherlands)
 Nest Scientific (MENA) FZE (Sharjah, United Arab Emirates)

ISO9001 & ISO13485 & ISO11137

10 mL Vial with a Funnel



Product picture



Head Office No. 530, Xida Road, Meicun Industrial Park, Xinwu District, Wuxi, Jiangsu, China
Tel: +86+ 510-6800 6788 Email: info@nest-wuxi.com
Online: www.cell-nest.com

Oversea NEST USA (New Jersey/ Phoenix)
NEST scientific 株式会社 (Yokohama, Japan)
NEST Scientific Europe B.V (Netherlands)
Nest Scientific (MENA) FZE (Sharjah, United Arab Emirates)