



· Performance characteristics of salt solution:

	Yield (µg)	Concentration (ng/µL)	A <sub>260/280</sub> Ratio
Mean ± SD	89.32 ± 53.40	44.66 ± 26.70	1.87 ± 0.08
Median	103.88	51.94	1.84
95% of samples	≥26.94	≥13.47	1.81-1.89

**Special reminders:**

The preservation solution is inedible. However, this solution won't cause damage to the body even if it is swallowed by mistake and home users are recommended to buy this one.

**(2) Disposable Sampler, Saliva Collection Kit with ITM:**

- Use at normal ambient temperature;
- The 5-mL storage tube for preservation solution is filled with 2 mL of ITM inactivated solution
- Samples can be stored and transported at ambient temperature;  
DNA samples can be stored stably for 12 months;  
RNA samples can be stored steadily for 1 month.
- Characteristics of ITM inactivated solution:

	Yield (µg)	Concentration (ng/µL)	A <sub>260/280</sub> Ratio
Mean ± SD	62.97 ± 53.18	31.54 ± 26.59	1.84 ± 0.23
Median	55.46	27.73	1.83
95% of samples	≥9.74	≥4.87	1.75-1.93

**Special reminders:**

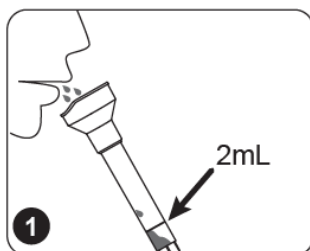
This preservation solution has good antibacterial performance and high storage efficiency and can ensure the integrity of viral nucleic acids in the sample when it is used to store inactivated viral samples.

## Product Range

Cat. No.	Product Description	Product list	/Pack	/Case
203001	Disposable Sampler, Saliva Collection Kit for Home Use (salt solution)	Funnel x 1 Saliva collection vial(10mL) x 1	1	100
203011	Disposable Sampler, Saliva Collection Kit with ITM	Preservation solution vial (5mL, containing 2.0 mL of preservation solution) x 1 Saliva collecting vial cap x 1 Barcode x 4	1	100

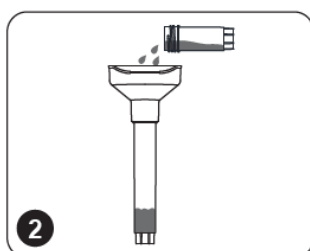
## Using Procedure

Clean the mouth with drinking water and fast 30 minutes before saliva sample collection. Do not eat, drink, smoke or chew gum.



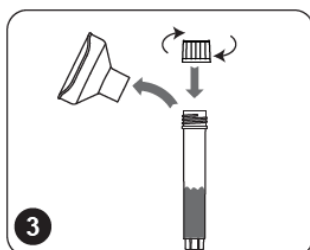
**1**

Before collecting saliva, relax your cheeks and gently massage cheeks with fingers for 15~30 seconds to produce saliva. Gently spit saliva into the funnel until the liquid saliva (non-bubble) reaches the height of 2.0 ml scale line. Saliva samples collected shall be free of impurities and sputum. Don't spit all over the vial.



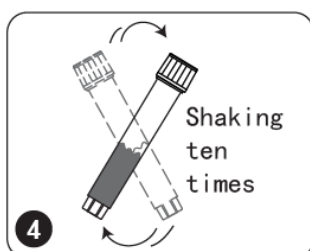
**2**

Hold the saliva collecting vial in hand and keep it upright. Use the other hand to unscrew the cap of the preservation solution vial. Slowly pour the preservation solution into the funnel, and keep the funnel and saliva collecting vial upright so that the preservation solution could flow into the collecting vial completely. The preservation solution should not be eaten.



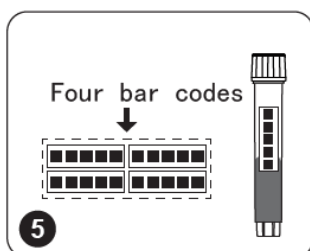
**3**

Keep the collecting vial upright, unscrew the funnel, take out the clean saliva collecting vial cap from the packing box, screw and tighten it on the saliva collecting vial. The vial caps have a choking hazard. Keep out of reach of children.



**4**

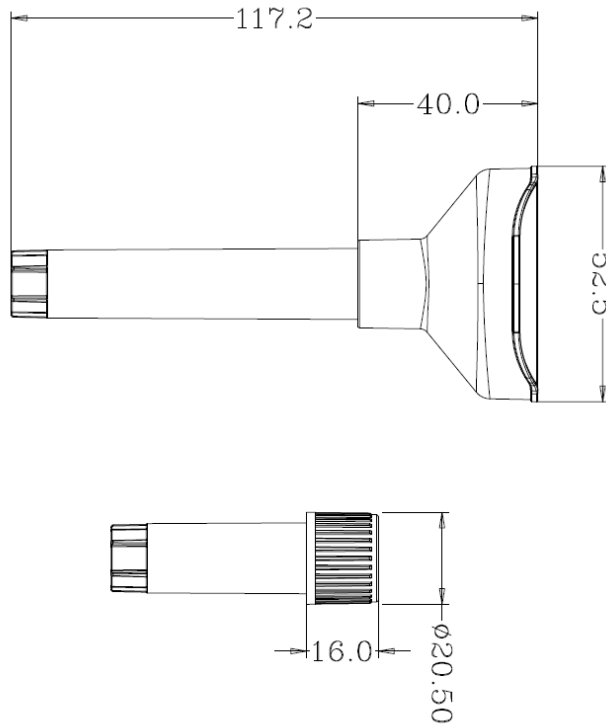
Turn the collecting vial upside down for 10 times to fully mix saliva and preservation solution.



**5**

Take out a bar code from the packing box and stick it on the saliva collecting vial, then put the collecting vial with bar code and two bar codes into the sample bag for storage, transportation or testing, and the remaining bar code is kept by the user for subsequent information feedback.

Technical Drawing



**Head Office** No. 530, Xida Road, Meicun Industrial Park, Xinwu District, Wuxi, Jiangsu, China  
Tel: +86+ 510-6800 6788 Email: [info@nest-wuxi.com](mailto:info@nest-wuxi.com)  
Online: [www.cell-nest.com](http://www.cell-nest.com)

**Oversea** NEST USA (New Jersey/ Phoenix)  
NEST scientific 株式会社 (Yokohama, Japan)  
NEST Scientific Europe B.V (Netherlands)  
Nest Scientific (MENA) FZE (Sharjah, United Arab Emirates)