

Product Name:	Erlenmeyer Flask
Product Application:	Ideal for shaker culture applications. Can be used for scale-up culture of suspension cells and bacteria.
Product Materials:	PETG Bottle & HDPE Cap, meets USP, Class VI standards.
product Specifications:	Temperature range: stored at room temperature Shelf life: 3 Years after date of production (ensure package is in good)
Sterilization:	Yes. Sterilized by E-beam, Sterility Assurance Level: SAL=10 ⁻⁶ . The product has been irradiated and dosimetrically released based on ANSI/AAMI/ISO 11137
Pyrogens:	Non-Pyrogenic
RNase/DNase:	DNase/RNase free
BSE/TSE:	These products are deemed animal free.
Performance Testing:	Each manufacturing lot is sampled and tested in accordance with standard operating procedures. Appearance inspection: qualified Sealing test: qualified Cell culture test: qualified Packaging inspection: qualified
Features	<ul style="list-style-type: none"> • PETG bottle height transparency, not easy to break. • Clear scale for easy viewing. • Excellent chemical resistance, resistant to a wide range of chemicals. • Both vent filter caps and seal caps are available. • Vent caps with 0.22um hydrophobic filter membrane for gas exchange resistant to bacteria. • Individual vacuum aseptic packaging. • Available in a variety of volumes: 125mL/250mL/500mL/1000mL
Recommendations	<ol style="list-style-type: none"> 1. Recommended volume of culture medium: 30%-40% of bottle volume. 2. Suggested starting shaking speed of orbital Shaker: 75-125 rpm.

Product Range

Cat. No.	Volume (mL)	Cap Style	Size(mm)			/Case
			Height	Bottleneck Diameter	Bottom Diameter	
781001	125	Plug Seal Cap	106.8	34	66	24
781011	125	Vent Cap	106.8	34	66	24
782001	250	Plug Seal Cap	137.8	34	83	12

Head Office No. 530, Xida Road, Meicun Industrial Park, Xinwu District, Wuxi, Jiangsu, China
Tel: +86+ 510-6800 6788 Email: info@nest-wuxi.com
Online: www.cell-nest.com

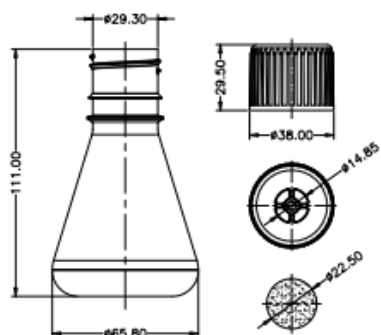
Oversea NEST USA (New Jersey/ Phoenix)
NEST scientific 株式会社 (Yokohama, Japan)
NEST Scientific Europe B.V (Netherlands)
Nest Scientific (MENA) FZE (Sharjah, United Arab Emirates)

ISO9001 & ISO13485 & ISO11137

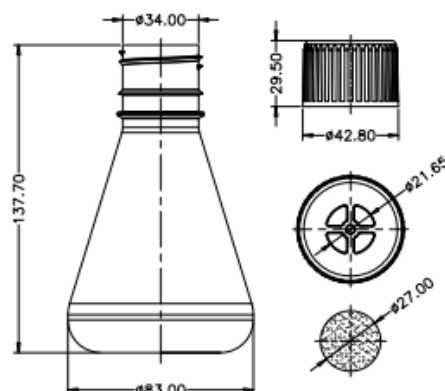
782011	250	Vent Cap	137.8	34	83	12
783001	500	Plug Seal Cap	175.8	39	101	12
783011	500	Vent Cap	175.8	39	101	12
784001	1000	Plug Seal Cap	213.3	39	127	6
784011	1000	Vent Cap	213.3	39	127	6

Technical Drawing

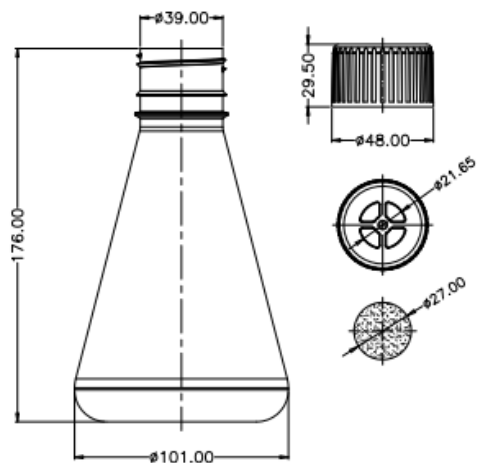
125ml



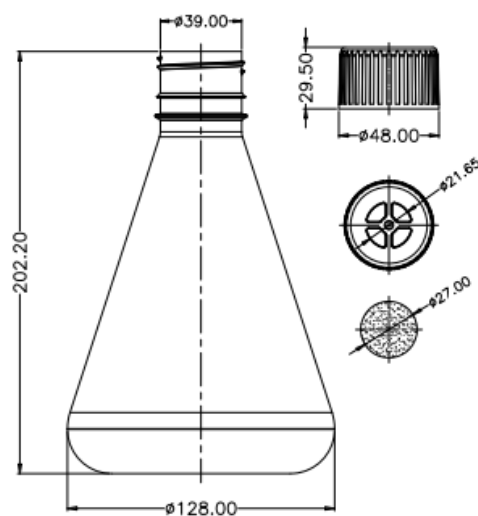
250ml



500ml



1000ml



Head Office No. 530, Xida Road, Meicun Industrial Park, Xinwu District, Wuxi, Jiangsu, China
 Tel: +86+ 510-6800 6788 Email: info@nest-wuxi.com
 Online: www.cell-nest.com

Oversea NEST USA (New Jersey/ Phoenix)
 NEST scientific 株式会社 (Yokohama, Japan)
 NEST Scientific Europe B.V (Netherlands)
 Nest Scientific (MENA) FZE (Sharjah, United Arab Emirates)