

Product Name:	Aseptic Connector
Product Application:	<p>NEST Aseptic Connector Collection provide a highly advantageous connection solution for disposable bioprocess systems. Its unique design allows for aseptic connections, even in non-sterile environments, ensuring both convenience and safety during fluid transfer processes.</p> <p>It is commonly used to connect the medium container to a bioreactor or storage bag during cell culture, as well as for aseptic fluid transfer during feeding and sampling in downstream processes of biopharmaceutical production.</p>
Product Materials:	<p>PC (body) & medical-grade silicone (gasket)</p> <p>Meets <i>USP, Class 6 standards</i></p>
product Specifications:	<p>Temperature range: stored at room temperature</p> <p>Shelf life: 3 years after date of production (ensure package is in good)</p>
Sterilization:	No
Pyrogens:	Non-Pyrogenic
RNase/DNase:	DNase/RNase free
Insoluble particles:	Reference "Chinese Pharmacopoeia", insoluble particle test method, ≤ 25 particles/mL for particles ≥10µm, ≤3 particles/mL for particles ≥ 25µm.
BSE/TSE/MGO:	No animal-derived or genetically modified ingredients or tissues, no TSE/BSE/GMO risks.
Performance Testing:	<p>Each manufacturing lot is sampled and tested in accordance with standard operating procedures.</p> <p>Melt film performance test: qualified Pressure resistance test: qualified</p> <p>Radiation resistance test: qualified Freeze resistance test: qualified</p> <p>Microbial challenge experiment: qualified Endotoxin test: qualified</p> <p>Nuclease test: qualified Insoluble particulate test: qualified</p> <p>High temperature and high pressure resistance test: qualified</p>
Features:	<ol style="list-style-type: none"> The gender-neutral design improves compatibility, making it easy to integrate into disposable systems. The intuitive three-step connection process (open, dock, pull) is simple and convenient, eliminating the need for clamps, fixtures, or welding machines. Supports E-beam sterilization (Max. 50 kGy) or autoclaving (121°C, 20 min). The built-in silicone gasket withstands pressure up to 410 kPa at room temperature. The main body is made of PC material, and the gasket is made of medical-grade silicone. Both materials comply with USP Class VI standards. Meets biocompatibility requirements of USP 87, USP 88, and ISO 10993 standards. Undergoes physical tests and is suitable for demanding application environments.
Precautions:	<ol style="list-style-type: none"> When connecting the two connectors, be careful not to flip the film. Keep the film in the correct position as shown in the diagram, and then connect the two aseptic connectors. When pulling and detaching the film, make sure to pull both pieces together. Do not pull only one of them.



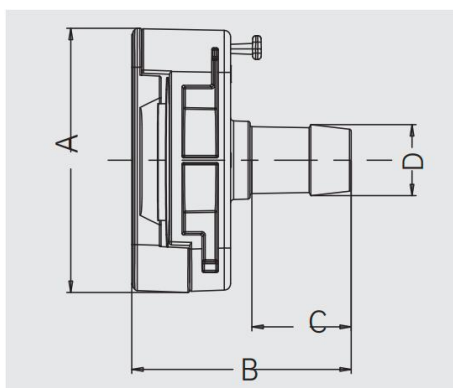
Product Range

Aseptic Connector

Cat. No.	Product	Dia.	Packaging (Double Bagged)	
			/Pack	/Case
747521	Standard	1/4"(6.4 mm)	1	10
747531		3/8"(9.5 mm)	1	10
747541		1/2"(12.7 mm)	1	10
747551		3/4"(19 mm)	1	10
747611	Min-type	1/8"(3.2 mm)	1	10
747621		1/4"(6.4 mm)	1	10
747631		3/8"(9.5 mm)	1	10

Technical Drawing

Aseptic Connector:



Compatibility	Dimension			
	A(mm)	B(mm)	C(mm)	D(mm)
1/4"(standard)	45.37	36.2	16.3	8.1
3/8" (standard)	45.37	37.8	17.75	10.94
1/2" (standard)	45.37	41.45	22.25	14.2
3/4" (standard)	45.37	51.8	33.1	20.5
1/8" (min-type)	40.73	29.25	11.04	4.55
1/4" (min-type)	40.73	33.44	15.23	8.1
3/8" (min-type)	40.73	33.8	15.6	10.9

Head Office No. 530, Xida Road, Meicun Industrial Park, Xinwu District, Wuxi, Jiangsu, China
 Tel: +86+ 510-6800 6788 Email: info@nest-wuxi.com
 Online: www.cell-nest.com

Oversea NEST USA (New Jersey/ Phoenix)
 NEST scientific 株式会社 (Yokohama, Japan)
 NEST Scientific Europe B.V (Netherlands)
 Nest Scientific (MENA) FZE (Sharjah, United Arab Emirates)