

| | |
|--------------------------------|---|
| Product Name: | Refill Pipette Tips |
| Product Application: | <p>1.Refill pipette tips, convenient for customers to use, reduce workload, shorten working time, improve work efficiency.</p> <p>2.Refill pipette tips are regular consumables for quantitative liquid transfer, used in the field of biology, chemistry and other experimental direction with pipetting operation.</p> |
| Product Materials: | <p>polypropylene (PP).</p> <p><i>Meets USP, Class VI standards</i></p> |
| Product Specifications: | <p>Temperature range: stored at room temperature</p> <p>Shelf life: 5 Years after date of production (ensure package is in good)</p> |
| Sterilization: | <p>Yes.</p> <p>Sterilized by E-beam, Sterility Assurance Level: SAL=10⁻⁶. The product has been irradiated and dosimetrically released based on ANSI/AAMI/ISO 11137</p> |
| Pyrogens: | Non-Pyrogenic |
| RNase/DNase: | DNase/RNase free |
| BSE/TSE: | These products are deemed animal free. |
| Performance Test: | <p>Each manufacturing lot is sampled and tested in accordance with standard operating procedures.</p> <p>Appearance inspection: qualified Packaging inspection: qualified</p> <p>Pipette fit test: qualified Leak test: qualified</p> |
| Features | <ol style="list-style-type: none"> 1.Both tips and boxes are autoclavable. 2.With precision mold and professional injection skill, Nest refill pipette tips has smooth inner surface to ensure Low liquid attachment and accurate sample results during liquid transfer. 3.Resistant to organic solvents. 4.ultra-clear polypropylene good for observation. 5.Nest refill pipette tips are compatible with most of the popular pipettes on the market. 6. Nest refill pipette tips is made of stacked brackets, different specifications of the suction head inserted into the suction head box frame 5-10 stacked assembly, convenient for customers to use, reduce costs, high utilization rate, only one box bottom, use up a box frame and then take a box frame loading. |

Head Office

No. 530, Xida Road, Meicun Industrial Park, Xinwu District, Wuxi, Jiangsu, China
 Tel: +86+ 510-6800 6788 Email: info@nest-wuxi.com
 Online: www.cell-nest.com

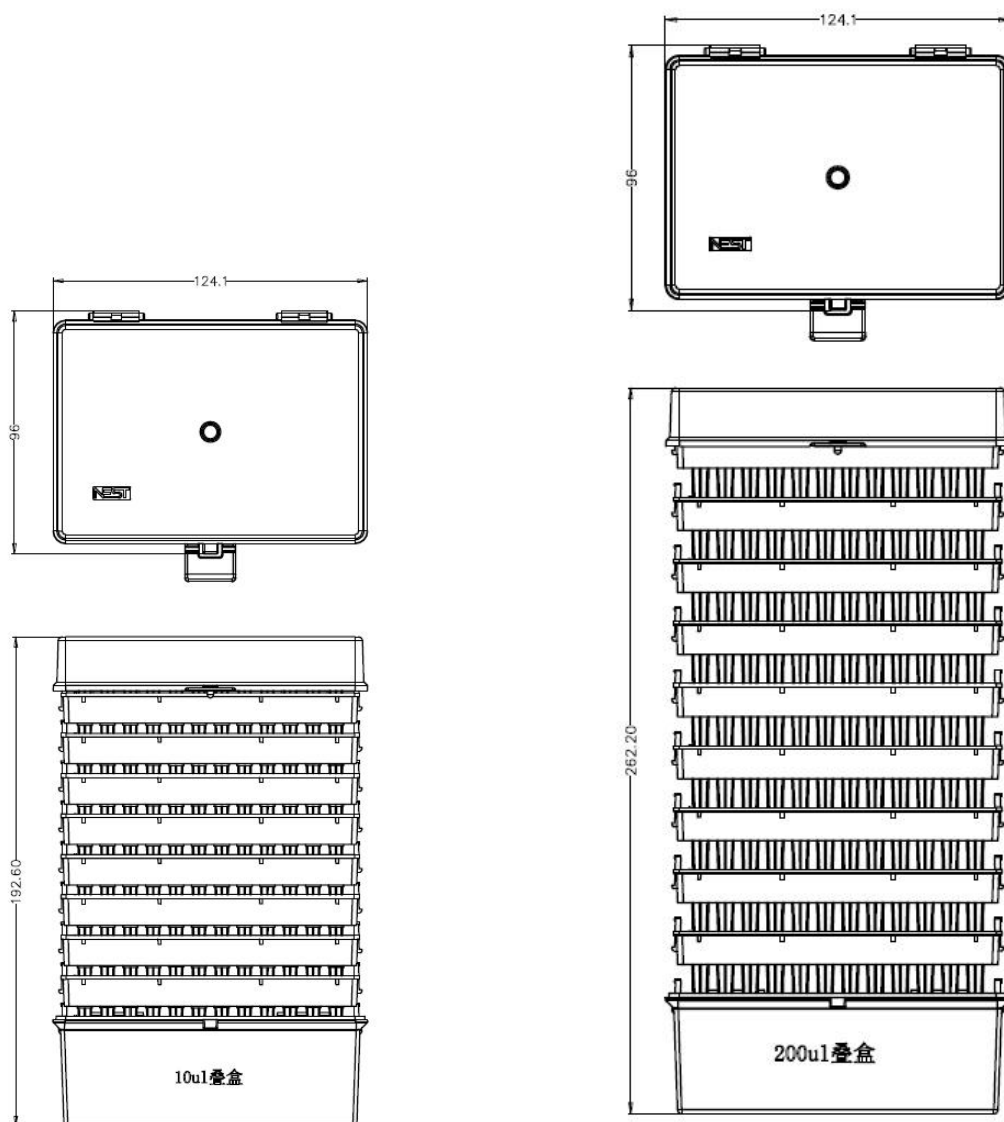
Oversea

NEST USA (New Jersey/ Phoenix)
 NEST scientific 株式会社 (Yokohama,Japan)
 NEST Scientific Europe B.V (Netherlands)
 Nest Scientific (MENA) FZE (Sharjah, United Arab Emirates)

Product Range

| Cat. No | Volume (μL) | Sterile | /Stack | /Pack | /Case |
|---------|-------------|---------|--------|-------|-------|
| 301081 | 10 | No | 96 | 960 | 9600 |
| 302081 | 200 | No | 96 | 960 | 9600 |
| 305081 | 300 | No | 96 | 480 | 4800 |
| 303081 | 1000 | No | 96 | 480 | 4800 |

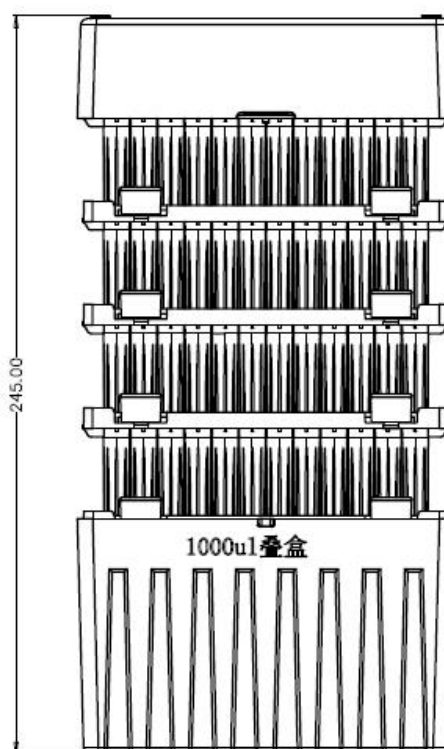
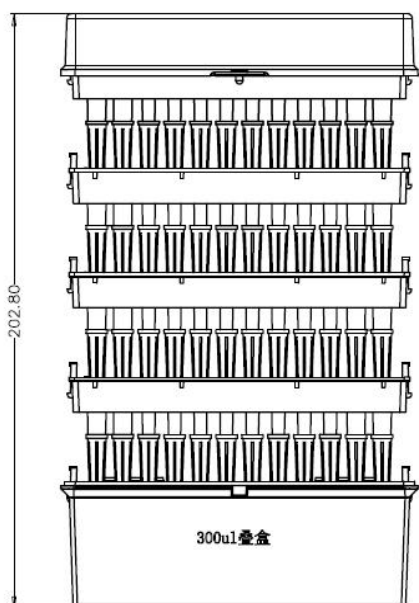
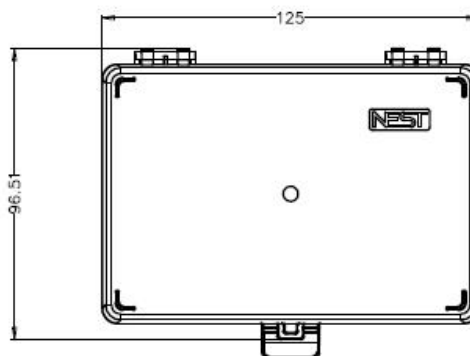
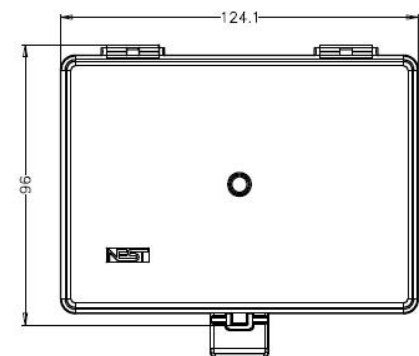
Technical Drawing



Head Office No. 530, Xida Road, Meicun Industrial Park, Xinwu District, Wuxi, Jiangsu, China
 Tel: +86+ 510-6800 6788 Email: info@nest-wuxi.com
 Online: www.cell-nest.com

Oversea NEST USA (New Jersey/ Phoenix)
 NEST scientific 株式会社 (Yokohama, Japan)
 NEST Scientific Europe B.V (Netherlands)
 Nest Scientific (MENA) FZE (Sharjah, United Arab Emirates)

ISO9001 & ISO13485 & ISO11137



Head Office

No. 530, Xida Road, Meicun Industrial Park, Xinwu District, Wuxi, Jiangsu, China
 Tel: +86+ 510-6800 6788 Email: info@nest-wuxi.com
 Online: www.cell-nest.com

Oversea

NEST USA (New Jersey/ Phoenix)
 NEST scientific 株式会社 (Yokohama, Japan)
 NEST Scientific Europe B.V (Netherlands)
 Nest Scientific (MENA) FZE (Sharjah, United Arab Emirates)