

Product Name:	PCR 8-strip Tube		
Product Application:	NEST has both transparent and white PCR strip tubes, which respectively apply to the general PCR and qPCR reactions.		
Product Materials:	polypropylene (PP).		
product Specifications:	Temperature range: stored at room temperature Shelf life: 5 years after date of production (ensure package is in good)		
Sterilization:	Yes (some of all catalog numbers). Sterilized by E-beam, Sterility Assurance Level: SAL=10 ⁻⁶ . The product has been irradiated and dosimetrically released based on ANSI/AAMI/ISO 11137		
Pyrogens:	Non-Pyrogenic		
RNase/DNase:	DNase/RNase free		
BSE/TSE:	These products are deemed animal free.		
Performance Testing:	Each manufacturing lot is sampled and tested in accordance with standard operating procedures. Appearance inspection: qualified Vacuum Seal test: qualified Freeze testing: qualified Centrifugation test: qualified Evaporation rate test: qualified Autoclave test : qualified Packaging inspection: qualified		
Features:	<ol style="list-style-type: none"> Made from USP grade VI polypropylene 0.1mL tubes are low profile which are designed to minimize the condensate contamination, particularly for the overnight experiment, and also reduce the evaporation of the reaction solution. Universally applicable to the mainstream PCR instrument and real-time qPCR on the market. Thin-walled design produces high thermal conductivity, enabling the reaction solution in the tube to reach the target temperature as quickly as possible The tube cap has excellent sealing performance, and the capping is smooth, so that the loss of reaction volume is less than 5% when using a heated lid Free of Dnase and Rnase, human DNA and PCR inhibitor. Autoclavable (121°C, 20min) White strip tubes increase the fluorescent signal strength of real-time PCR. 		

Product Range

Cat. No.	Product Description	/Pack	/Case
401001	0.2 mL PCR Tubes, Flat Caps, Clear, 500/bag,1000/box	/	10000
403102	0.1 mL PCR 8-strip Tubes, Clear	125	1250
403122	0.1 mL PCR 8-strip Tubes, Clear, Sterilized	125	1250
403002	0.2 mL PCR 8-strip Tubes, Clear	125	1250

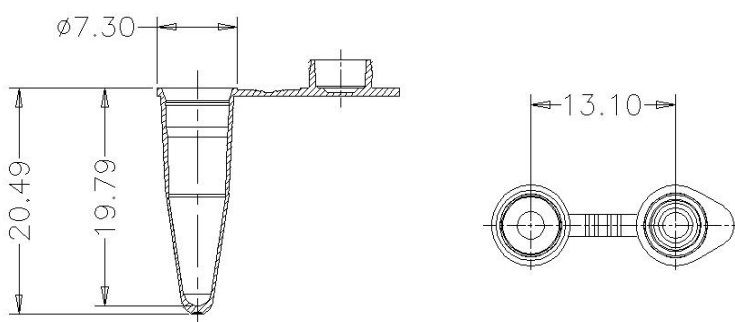
Head Office No. 530, Xida Road, Meicun Industrial Park, Xinwu District, Wuxi, Jiangsu, China
Tel: +86+ 510-6800 6788 Email: info@nest-wuxi.com
Online: www.cell-nest.com

Oversea NEST USA (New Jersey/ Phoenix)
NEST scientific 株式会社 (Yokohama, Japan)
NEST Scientific Europe B.V (Netherlands)
Nest Scientific (MENA) FZE (Sharjah, United Arab Emirates)

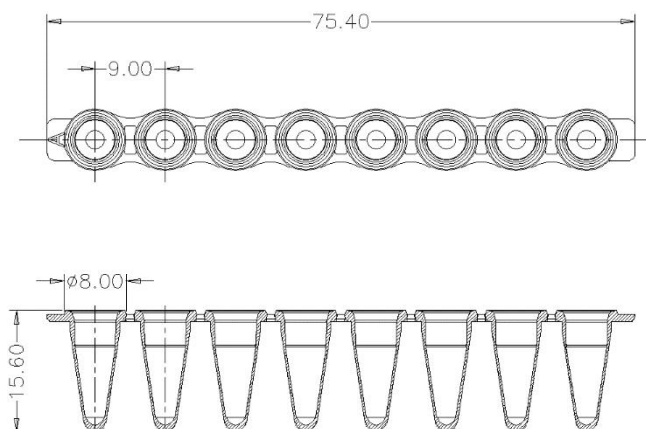
403022	0.2 mL PCR 8-strip Tubes, Clear, Sterilized	125	1250
403112	0.1 mL PCR 8-strip Tubes, White	125	1250
403132	0.1 mL PCR 8-strip Tubes, White, Sterilized	125	1250
403012	0.2 mL PCR 8-strip Tubes, White	125	1250
403032	0.2 mL PCR 8-strip Tubes, White, Sterilized	125	1250
404001	0.2 mL PCR 8-strip Tubes, With Flat caps, Clear, 12/bag	120	1200
406012	Flat 8-strip Caps	125	1250
406022	Flat 8-strip Caps, Sterilized	125	1250
406112	Domed 8-strip Caps	125	1250
406122	Domed 8-strip Caps, Sterilized	125	1250

Technical Drawing

401001



403102/403112



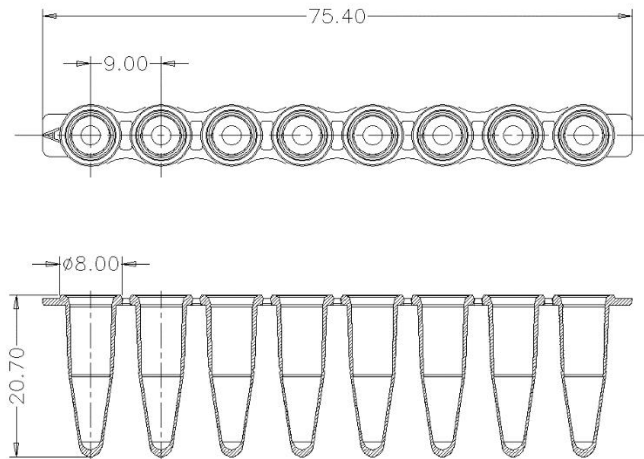
Head Office

No. 530, Xida Road, Meicun Industrial Park, Xinwu District, Wuxi, Jiangsu, China
 Tel: +86+ 510-6800 6788 Email: info@nest-wuxi.com
 Online: www.cell-nest.com

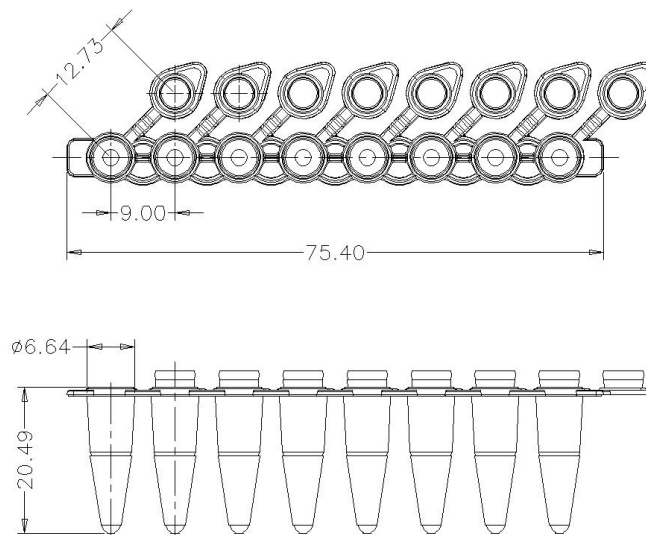
Oversea

NEST USA (New Jersey/ Phoenix)
 NEST scientific 株式会社 (Yokohama, Japan)
 NEST Scientific Europe B.V (Netherlands)
 Nest Scientific (MENA) FZE (Sharjah, United Arab Emirates)

403002/403012



404001



Head Office

No. 530, Xida Road, Meicun Industrial Park, Xinwu District, Wuxi, Jiangsu, China
 Tel: +86+ 510-6800 6788 Email: info@nest-wuxi.com
 Online: www.cell-nest.com

Oversea

NEST USA (New Jersey/ Phoenix)
 NEST scientific 株式会社 (Yokohama, Japan)
 NEST Scientific Europe B.V (Netherlands)
 Nest Scientific (MENA) FZE (Sharjah, United Arab Emirates)