

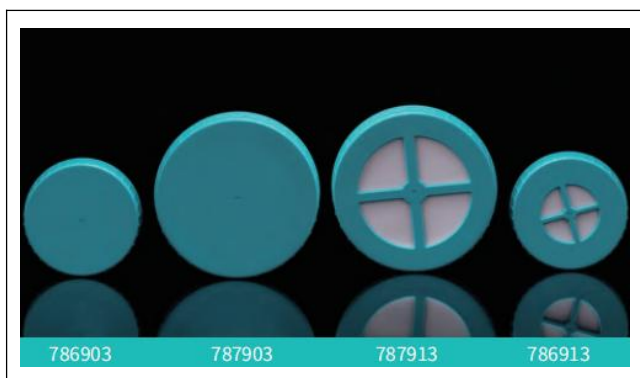
Product Name:	Erlenmeyer Flask/High Efficiency Erlenmeyer Flask Cap Accessories
Product Application:	<ol style="list-style-type: none"> 1. Suitable for Erlenmeyer Flasks and High Efficiency Erlenmeyer Flasks. 2. 0.22μL PTFE gas-permeable membrane inside the cap, preventing bacteria and ensuring gas exchange. 3. Individually packed, easy to use.
Product Materials:	Cap: PP; Membrane: PTFE
product Specifications:	<p>Temperature range: stored at room temperature</p> <p>Shelf life: 5 Years after date of production (ensure package is in good)</p>
Sterilization:	YES
BSE/TSE:	These products are deemed animal free.
Performance Testing:	<p>Each manufacturing lot is sampled and tested in accordance with standard operating procedures.</p> <p>Appearance inspection: pass Packaging inspection: pass</p>
Features	<ol style="list-style-type: none"> 1. The cap is made of polypropylene (PP) and complies with USP Class VI. 2. Individually packaged. 3. DNase/RNase, pyrogen and endotoxin free. 4. Electron beam sterilisation. 5. Suitable for NEST Erlenmeyer Flasks.

Product Picture



Head Office No. 530, Xida Road, Meicun Industrial Park, Xinwu District, Wuxi, Jiangsu, China
 Tel: +86+ 510-6800 6788 Email: info@nest-wuxi.com
 Online: www.cell-nest.com

Oversea NEST USA (New Jersey/ Phoenix)
 NEST scientific 株式会社 (Yokohama, Japan)
 NEST Scientific Europe B.V (Netherlands)
 Nest Scientific (MENA) FZE (Sharjah, United Arab Emirates)



Product Range

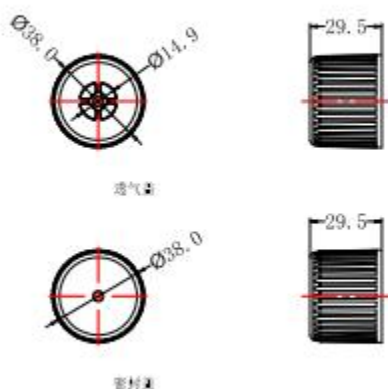
Cat.No.	Description	/Pack	/Case
781925	Seal Cap for 125mL PC/PETG Erlenmeyer Flasks	1	25
781935	Vent Cap for 125mL PC/PETG Erlenmeyer Flasks	1	25
782925	Seal Cap for 250mL PC/PETG Erlenmeyer Flasks	1	25
782935	Vent Cap for 250mL PC/PETG Erlenmeyer Flasks	1	25
783925	Seal Cap for 500&1000mL PC/PETG Erlenmeyer Flasks	1	25
783935	Vent Cap for 500&1000mL PC/PETG Erlenmeyer Flasks	1	25
785903	Seal Cap for 2L Erlenmeyer Flasks	1	20
785913	Vent Cap for 2L Erlenmeyer Flasks	1	20
786903	Seal Cap for 3L Conical Erlenmeyer Flasks/2&3L High Efficient Erlenmeyer Flasks	1	20
786913	Vent Cap for 3L Conical Erlenmeyer Flasks/2&3L High Efficient Erlenmeyer Flasks	1	20
787903	Seal Cap for 3L Wide-mouth/5LErlenmeyer Flasks	1	20
787913	Vent Cap for 3L Wide-mouth/5L Erlenmeyer Flasks	1	20

Technical Drawing

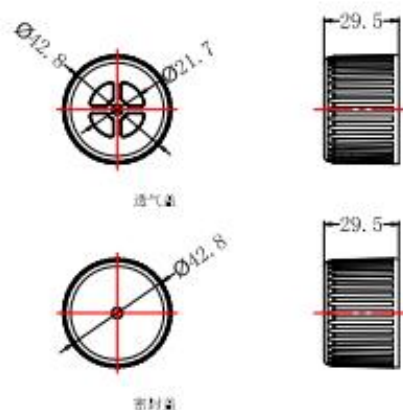
Head Office No. 530, Xida Road, Meicun Industrial Park, Xinwu District, Wuxi, Jiangsu, China
 Tel: +86+ 510-6800 6788 Email: info@nest-wuxi.com
 Online: www.cell-nest.com

Oversea NEST USA (New Jersey/ Phoenix)
 NEST scientific 株式会社 (Yokohama, Japan)
 NEST Scientific Europe B.V (Netherlands)
 Nest Scientific (MENA) FZE (Sharjah, United Arab Emirates)

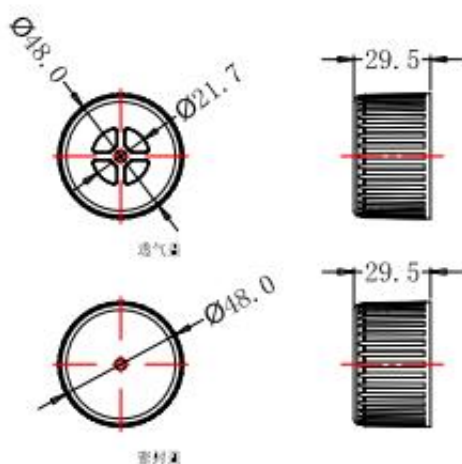
125ml



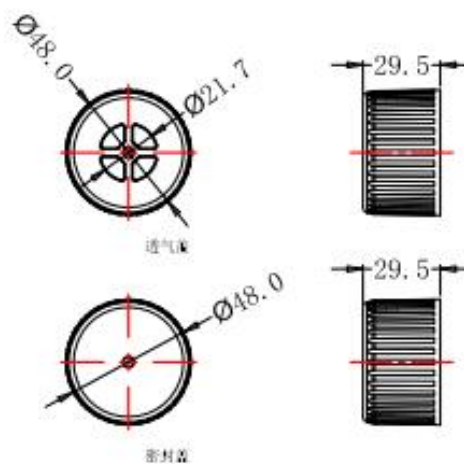
250ml

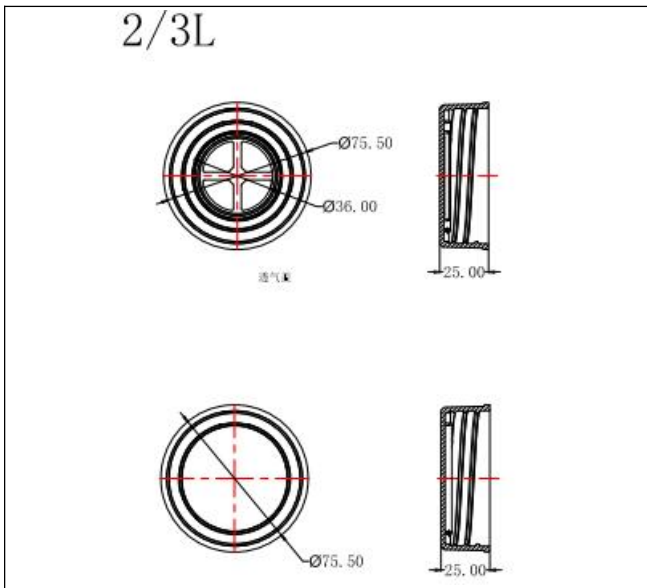


500ml



1000ml





Head Office No. 530, Xida Road, Meicun Industrial Park, Xinwu District, Wuxi, Jiangsu, China
Tel: +86+ 510-6800 6788 Email: info@nest-wuxi.com
Online: www.cell-nest.com

Oversea NEST USA (New Jersey/ Phoenix)
NEST scientific 株式会社 (Yokohama, Japan)
NEST Scientific Europe B.V (Netherlands)
Nest Scientific (MENA) FZE (Sharjah, United Arab Emirates)