



**Product Range**

**Glass Bottom Culture Dishes**

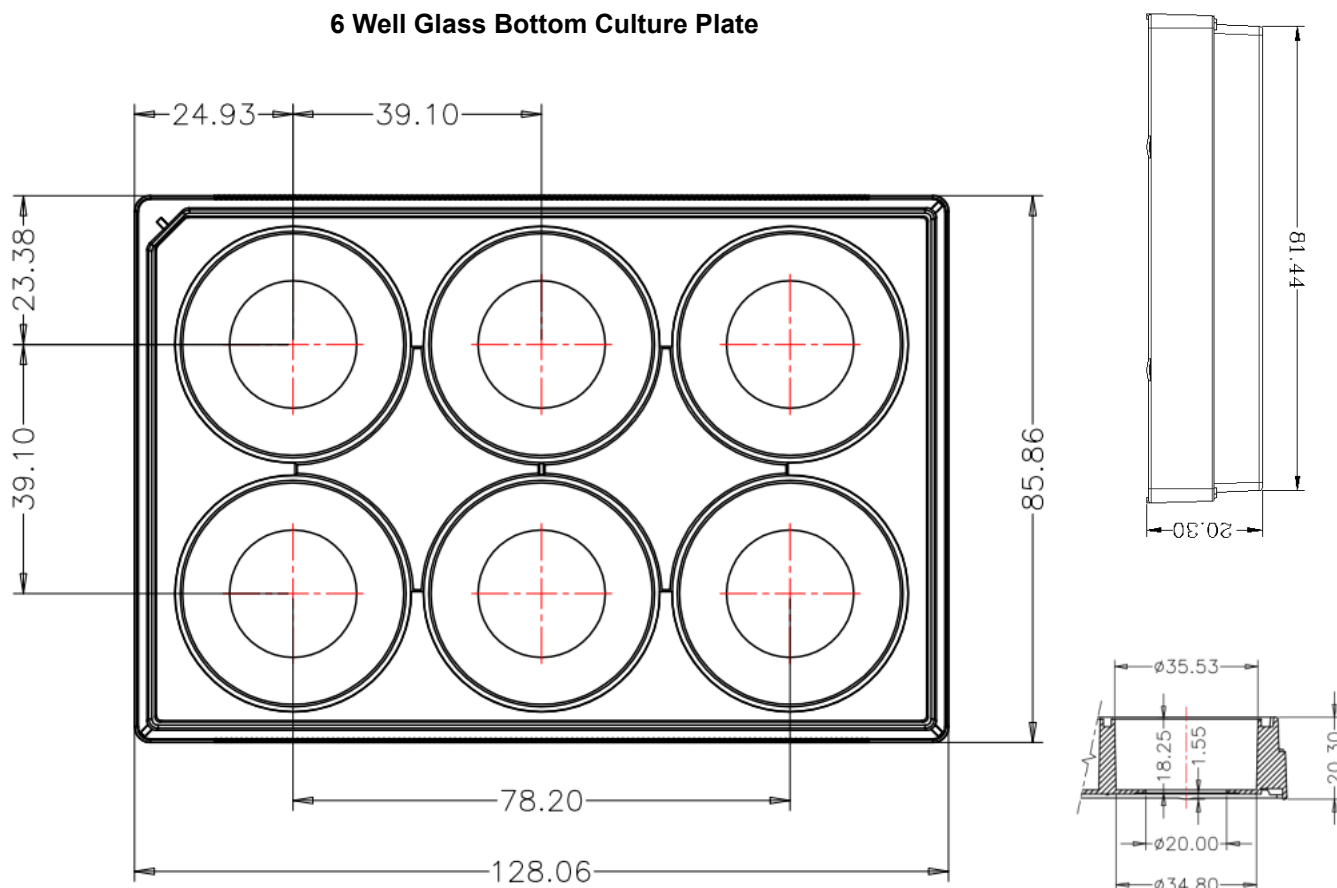
Cat. No.	Product Description			/Pack	/Case
	Spec(mm)		Cultivation Area (cm <sup>2</sup> )		
	Type	Glass Diameter			
801002	28.2	15	6.2	10	200
801001	28.2	20	6.2	10	200

**Glass Bottom Culture Plates**

Cat. No.	Spec	Bottom Diameter(mm)	Glass Diameter(mm)	Cultivation Area (cm <sup>2</sup> )	/Case
801004	6	34.8	20.0	9.5	10
801006	24	15.6	10.0	1.9	10

**Technical Drawing**

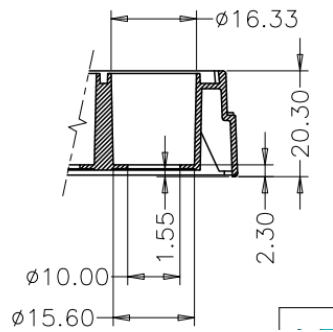
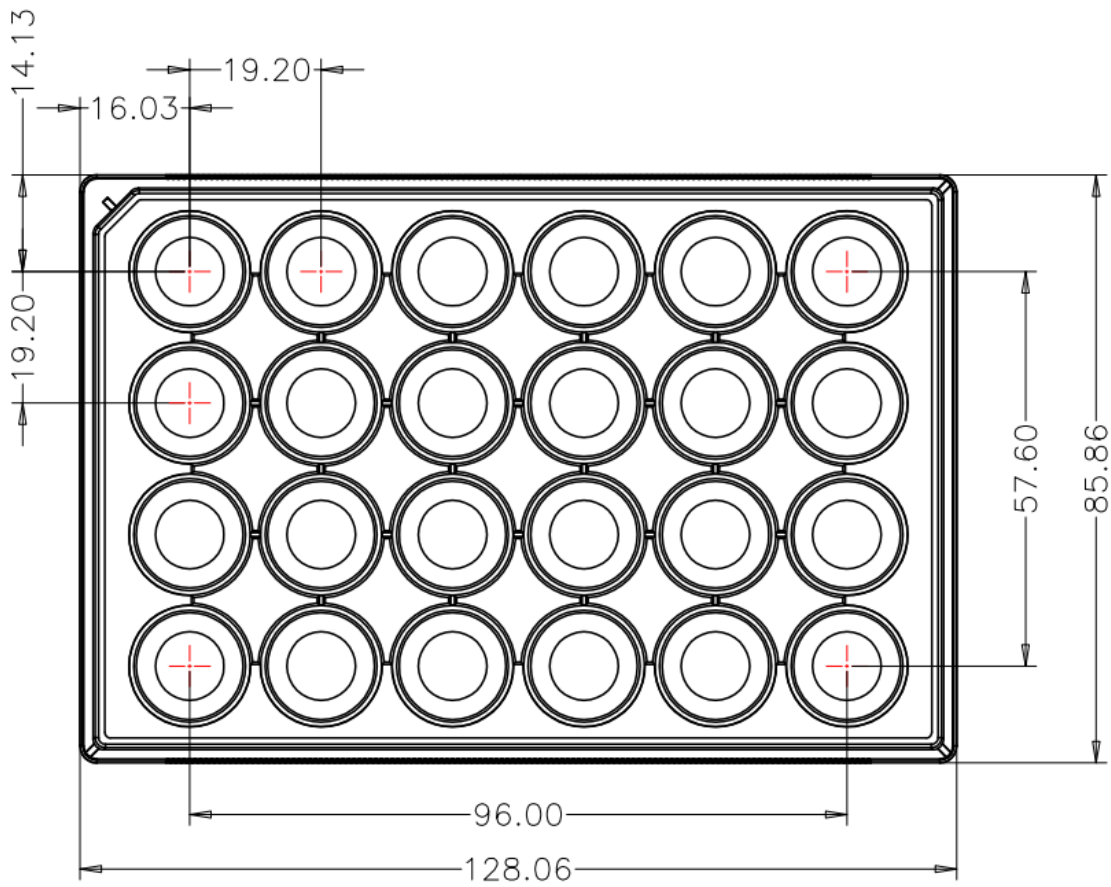
**6 Well Glass Bottom Culture Plate**



**Head Office** No. 530, Xida Road, Meicun Industrial Park, Xinwu District, Wuxi, Jiangsu, China  
 Tel: +86+ 510-6800 6788 Email: [info@nest-wuxi.com](mailto:info@nest-wuxi.com)  
 Online: [www.cell-nest.com](http://www.cell-nest.com)

**Oversea** NEST USA (New Jersey/ Phoenix)  
 NEST scientific 株式会社 (Yokohama, Japan)  
 NEST Scientific Europe B.V (Netherlands)  
 Nest Scientific (MENA) FZE (Sharjah, United Arab Emirates)

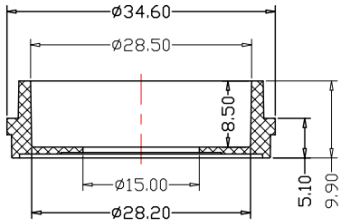
24 Well Glass Bottom Culture Plate



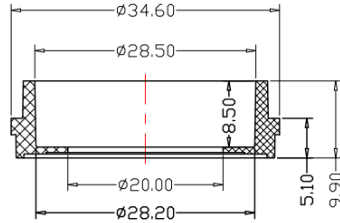
**Head Office** No. 530, Xida Road, Meicun Industrial Park, Xinwu District, Wuxi, Jiangsu, China  
 Tel: +86+ 510-6800 6788 Email: [info@nest-wuxi.com](mailto:info@nest-wuxi.com)  
 Online: [www.cell-nest.com](http://www.cell-nest.com)

**Oversea** NEST USA (New Jersey/ Phoenix)  
 NEST scientific 株式会社 (Yokohama, Japan)  
 NEST Scientific Europe B.V (Netherlands)  
 Nest Scientific (MENA) FZE (Sharjah, United Arab Emirates)

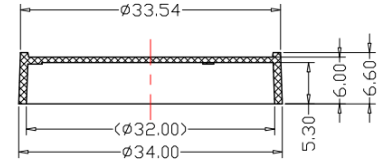
**Glass Bottom Culture Dish**



Φ15 Glass Bottom Culture Dish



Φ20 Glass Bottom Culture Dish



Cap of Glass Bottom Culture Dish