

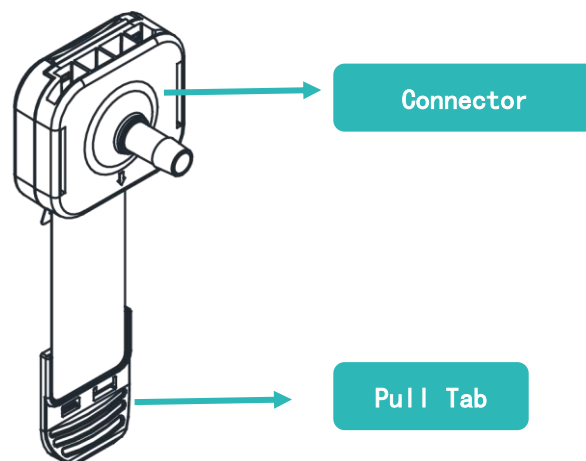
Aseptic Connector Instructions for use

1. Introduction:

NEST Aseptic Connector Collection provides a highly advantageous connection solution for disposable bioprocess systems. Its unique design allows for aseptic connections, even in non-sterile environments, ensuring both convenience and safety during fluid transfer processes.

NEST Aseptic Connector is a non-gendered connector. The standard type is compatible with hoses measuring 1/4", 3/8", 1/2", and 3/4", while the mini type is compatible with hoses measuring 1/8", 1/4", and 3/8". The mini type has a smaller body structure compared to the standard type and is specifically designed for low-flow applications.

The diagram is as follows:



2. Operating Instructions:

A. Open: Remove the protective cap.

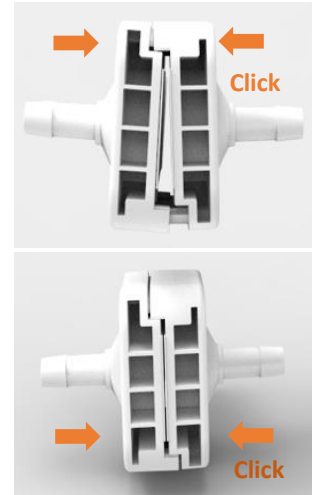


B. Connect:

1. Allow the film to hang down. Don't flip it.



2. Connect the two connectors to the slots. Firmly snap together on both sides.



3. Align the pull tabs and connect them.



- C. Detach:** Grip the pull tabs and pull them downward vertically to completely remove the film, thereby completing the connection.



3. Notes:

1. The aseptic connector supports either E-beam Irradiation or autoclave. However, it is important to note that these sterilization methods cannot be used simultaneously. You should choose only one method for sterilization: either irradiation sterilization (with a cumulative maximum of 50 kGy) or autoclave (up to a maximum of 121 °C for 30 minutes).
2. Before connecting the aseptic connector, it is essential to inspect the film to ensure it is smooth and flat. If the film is not even, please take the time to adjust it properly to prevent any interference when pulling after the connection is made.

