

Product Name:	Cell Culture Flask
Product Application:	<p>NEST cell culture flasks are an ideal solution for enhanced cell attachment and growth of a variety of primary cells and transformed cells in serum free or serum-containing cultures.</p> <p>These flasks are available as tissue culture treated or non-treated as well as with a vent cap or plug seal cap to meet your requirements.</p>
Product Materials:	<p>PS (body) + PP (cap)</p> <p>Meets <i>USP, Class VI standards</i></p>
product Specifications:	<p>Temperature range: stored at room temperature</p> <p>Shelf life: 3 Years after date of production(TC Cat.No) (ensure package is in good). 5 Years after date of production(Non-treated Cat.No)(ensure package is in good).</p>
Sterilization:	<p>Yes.</p> <p>Sterilized by E-beam, Sterility Assurance Level: SAL=10⁻⁶. The product has been irradiated and dosimetrically released based on ANSI/AAMI/ISO 11137</p>
Pyrogens:	Non-Pyrogenic
RNase/DNase:	DNase/RNase free
BSE/TSE:	These products are deemed animal free.
Performance Testing:	<p>Each manufacturing lot is sampled and tested in accordance with standard operating procedures.</p> <p>Appearance inspection: qualified Particle Test: qualified</p> <p>Hydrophilic test: qualified Cell culture test: qualified</p> <p>Packaging inspection: qualified</p>
Features	<ol style="list-style-type: none"> 1. High clarity medical grade polystyrene material. 2. Two types of cap style: vent caps & plug seal cap. 3. Vent caps with 0.22um hydrophobic filters for gas exchange without contamination. 4. TC treated: Vacuum Plasma tissue culture treatment, excellent cell adherence. 6. Multiple size options: cell growth areas ranging from 25cm² to 225cm² are available. 7. A brand new specification, T150 U-Shaped Canted Neck Cell Culture Flask: <ul style="list-style-type: none"> • Without influencing the regular usage, the bottleneck is enlarged, allowing the pipettes or cell scrapers to reach every corner of the flask freely and flexibly. • The bottleneck is enlarged to the size of the large mouth of NEST BioFactory, facilitating accessories' matching and offering better tubes' connection and closed transfer. • The unique U-shaped body is easier to hold and enhances the utilization rate of the

- bottom.
- The membrane area of vent cap is enlarged for better permeability.
8. Frosted marking area on the side and clear graduations for volume observation.
 9. Notched bottom for slip free stacking.
 10. Packaged in sterile, zip-sealable bags.
 11. Clear lot number for batch traceability.

Product Range

Tissue Culture Treated Cell Culture Flasks

Cat. No.	Cell Growth Area(cm ²)	Cap Style	Volume (mL)	Recommended Medium Volume(mL)	/Pack	/Case
707001	25	Sealed Cap	30	5-7.5	10	200
707003	25	Vent Cap	30	5-7.5	10	200
708001	75	Sealed Cap	225	15-22.5	5	100
708003	75	Vent Cap	225	15-22.5	5	100
709001	175	Sealed Cap	400	35-52.5	5	40
709003	175	Vent Cap	400	35-52.5	5	40
721001	225	Sealed Cap	700	45-67.5	5	25
721003	225	Vent Cap	700	45-67.5	5	25

Non-treated Cell Culture Flasks

Cat. No.	Cell Growth Area(cm ²)	Cap Style	Volume (mL)	Recommended Medium Volume(mL)	/Pack	/Case
707011	25	Sealed Cap	30	5-7.5	10	200
707013	25	Vent Cap	30	5-7.5	10	200
708011	75	Sealed Cap	225	15-22.5	5	100
708013	75	Vent Cap	225	15-22.5	5	100
709011	175	Sealed Cap	400	35-52.5	5	40
709013	175	Vent Cap	400	35-52.5	5	40
721011	225	Sealed Cap	700	45-67.5	5	25
721013	225	Vent Cap	700	45-67.5	5	25

T150 U-Shaped Canted Neck Cell Culture Flask

Cat. No.	Product Description	/Pack	/Case
720001	150 cm ² Cell Culture Flask, Plug Seal Cap, TC Treated	5	8

Head Office

No. 530, Xida Road, Meicun Industrial Park, Xinwu District, Wuxi, Jiangsu, China
 Tel: +86+ 510-6800 6788 Email: info@nest-wuxi.com
 Online: www.cell-nest.com

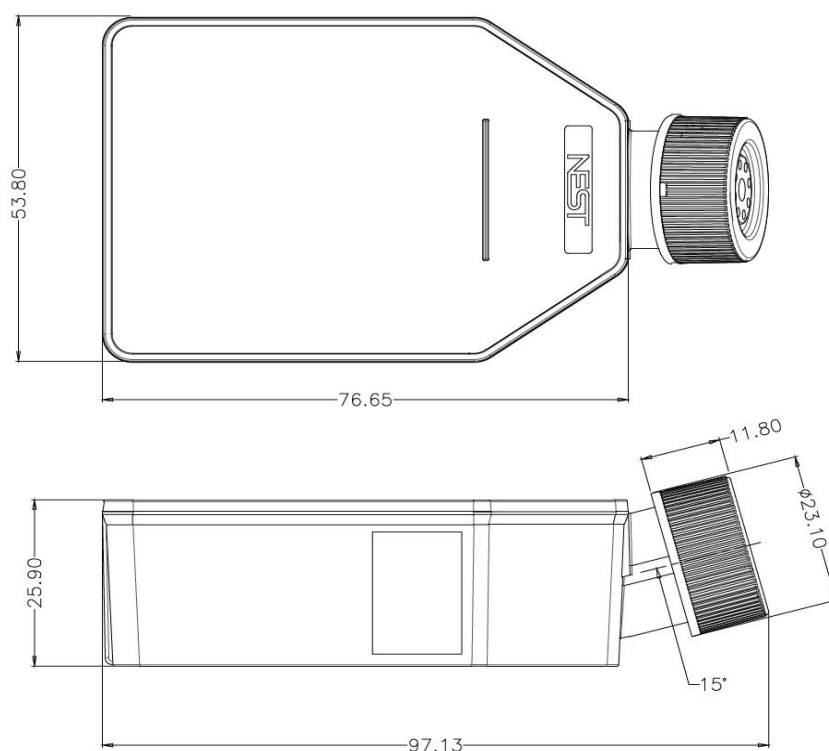
Oversea

NEST USA (New Jersey/ Phoenix)
 NEST scientific 株式会社 (Yokohama, Japan)
 NEST Scientific Europe B.V (Netherlands)
 Nest Scientific (MENA) FZE (Sharjah, United Arab Emirates)

720003	150 cm ² Cell Culture Flask, Plug Vent Cap, TC Treated	5	8
720011	150 cm ² Cell Culture Flask, Plug Seal Cap, Non-Treated	5	8
720013	150 cm ² Cell Culture Flask, Plug Vent Cap, Non-Treated	5	8

Technical Drawing

T25 cell culture flask



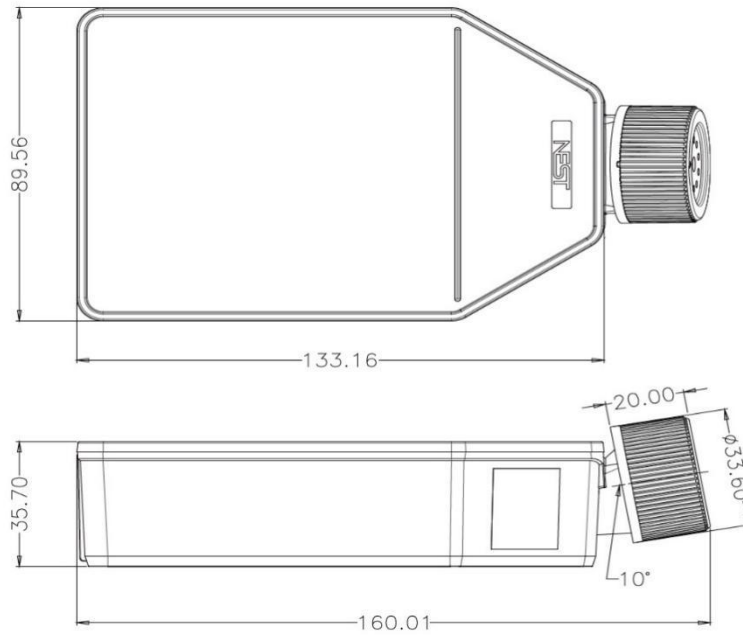
Head Office

No. 530, Xida Road, Meicun Industrial Park, Xinwu District, Wuxi, Jiangsu, China
 Tel: +86+ 510-6800 6788 Email: info@nest-wuxi.com
 Online: www.cell-nest.com

Oversea

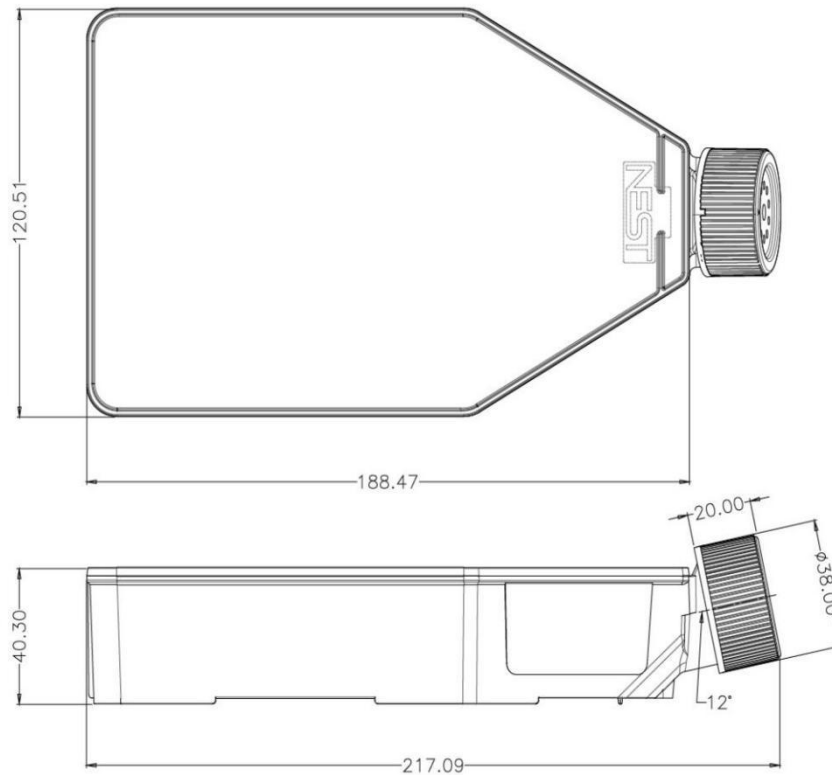
NEST USA (New Jersey/ Phoenix)
 NEST scientific 株式会社 (Yokohama, Japan)
 NEST Scientific Europe B.V (Netherlands)
 Nest Scientific (MENA) FZE (Sharjah, United Arab Emirates)

T75 cell culture flask



T175 cell culture

flask



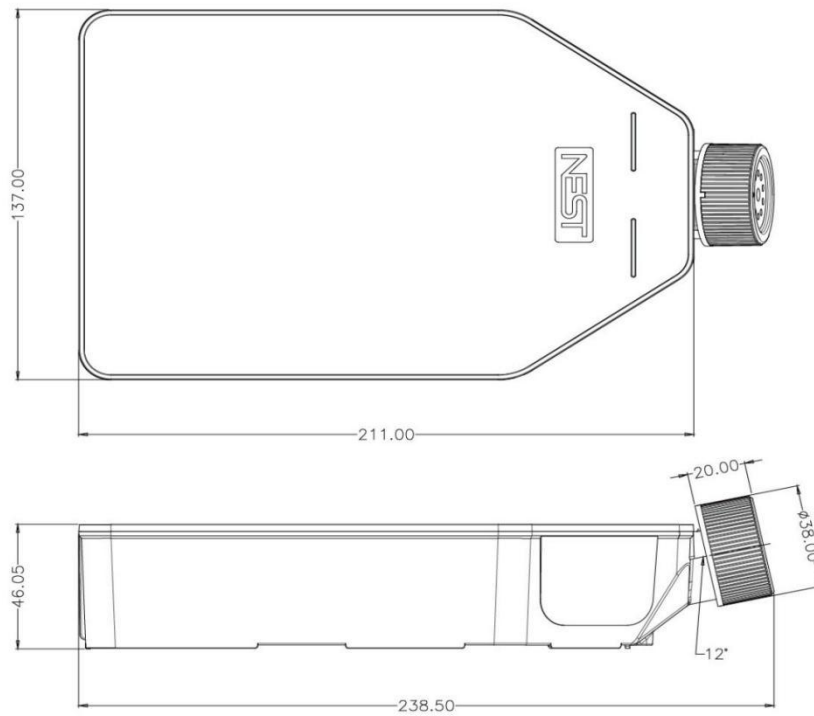
Head Office

No. 530, Xida Road, Meicun Industrial Park, Xinwu District, Wuxi, Jiangsu, China
 Tel: +86+ 510-6800 6788 Email: info@nest-wuxi.com
 Online: www.cell-nest.com

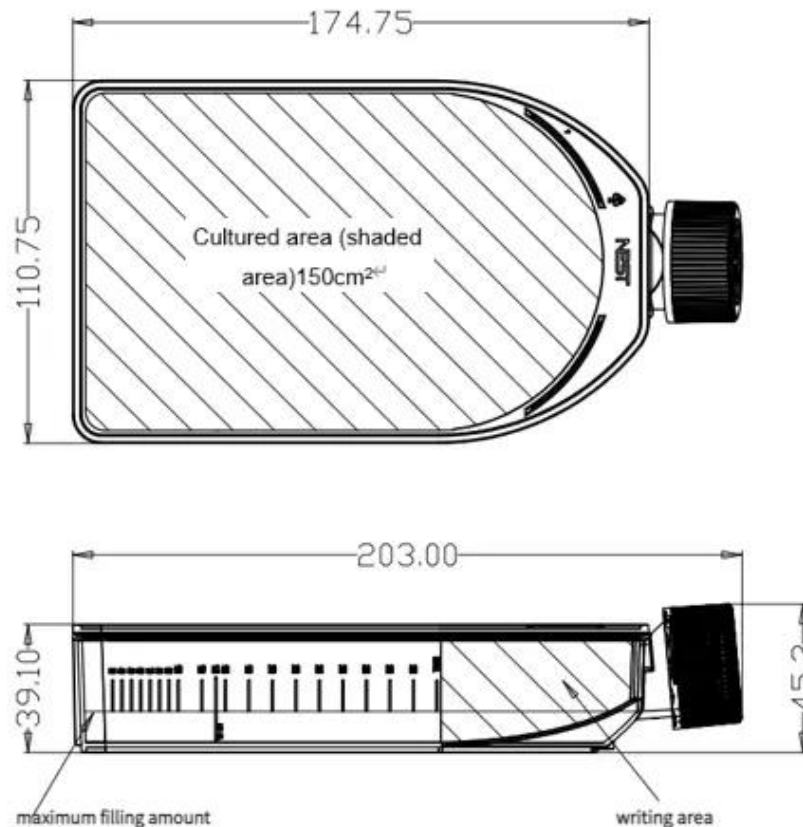
Oversea

NEST USA (New Jersey/ Phoenix)
 NEST scientific 株式会社 (Yokohama, Japan)
 NEST Scientific Europe B.V (Netherlands)
 Nest Scientific (MENA) FZE (Sharjah, United Arab Emirates)

T225 cell culture flask



T150 U-Shaped Canted Neck Cell Culture Flask



Head Office

No. 530, Xuesi Road, Meishan Industrial Park, Ximeng District, Wuxi, Jiangsu, China
 Tel: +86+ 510-6800 6788 Email: info@nest-wuxi.com
 Online: www.cell-nest.com

Oversea

NEST Scientific (New Jersey, Inc.)(US)
 NEST scientific 株式会社 (Yokohama, Japan)
 NEST Scientific Europe B.V (Netherlands)
 Nest Scientific (MENA) FZE (Sharjah, United Arab Emirates)