

<b>Product Name:</b>	<b>Microcentrifuge Tubes</b>
<b>Product Application:</b>	<p>NEST centrifuge tubes could be commonly used to collect cells and separate biomacromolecules by centrifugation in biochemistry and other biological fields.</p> <p>Available in two colors: Amber and clear. Amber centrifuge tubes can also be used to store photosensitive samples and special chemiluminescence reagents.</p>
<b>Product Materials:</b>	<p>polypropylene (PP).</p> <p>Meets USP, Class VI standards</p>
<b>product Specifications:</b>	<p>Temperature range: stored at room temperature</p> <p>Shelf life: 5 Years after date of production ( ensure package is in good )</p>
<b>Sterilization:</b>	<p><b>Yes (some of all catalog numbers).</b></p> <p>Sterilized by E-beam, Sterility Assurance Level: SAL=10<sup>-6</sup>. The product has been irradiated and dosimetrically released based on ANSI/AAMI/ISO 11137</p>
<b>Pyrogens:</b>	Non-Pyrogenic
<b>RNase/DNase:</b>	DNase/RNase free
<b>BSE/TSE:</b>	These products are deemed animal free.
<b>Performance Testing:</b>	<p>Each manufacturing lot is sampled and tested in accordance with standard operating procedures.</p> <p>Appearance inspection: qualified                      Sealing test: qualified</p> <p>Freeze testing: qualified                                      Packaging inspection: qualified</p>
<b>Features</b>	<ol style="list-style-type: none"> <li>Using imported PP materials, resistant to chemical corrosion and low temperature, compliant to USP Class-6 standard.</li> <li>Ultra-high centrifugal stability, centrifugal tolerance up to 30000xg</li> <li>Clear graduations and frosted marking area.</li> <li>Special safelock cap design provides secure lid sealing.</li> <li>Tube cap can be opened or closed with one hand, easy to operate.</li> <li>Withstand temperature ranging from -80 to 121°C.</li> <li>Available in sterile or unsterile options.</li> <li>None of DNA/RNA enzyme, Endotoxin unit less than 0.1 EU.</li> <li><b>Available in two colors: Amber and clear.</b></li> </ol> <p>Amber centrifuge tubes can be used to store photosensitive samples and special chemiluminescence reagents.</p>

<b>Product Name:</b>	<b>Micro Tube Box</b>
<b>Product Application:</b>	<p>Centralized storage of microtubes.</p> <p>Low temperature resistant, can be used for low temperature centralized storage of biological samples in microtubes.</p>
<b>Product Materials:</b>	<b>Polypropylene, PP (base) + polycarbonate, PC (cover)</b>

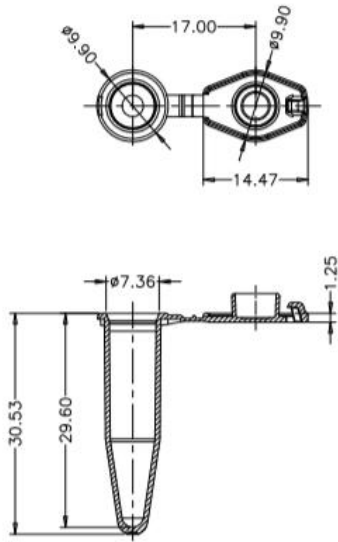
**Head Office** No. 530, Xida Road, Meicun Industrial Park, Xinwu District, Wuxi, Jiangsu, China  
 Tel: +86+ 510-6800 6788 Email: [info@nest-wuxi.com](mailto:info@nest-wuxi.com)  
 Online: [www.cell-nest.com](http://www.cell-nest.com)

**Oversea** NEST USA (New Jersey/ Phoenix)  
 NEST scientific 株式会社 (Yokohama, Japan)  
 NEST Scientific Europe B.V (Netherlands)  
 Nest Scientific (MENA) FZE (Sharjah, United Arab Emirates)

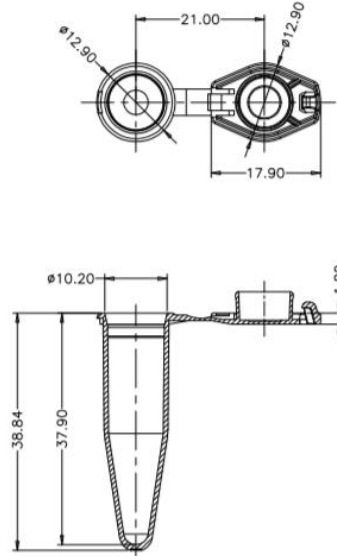


## Technical Drawing

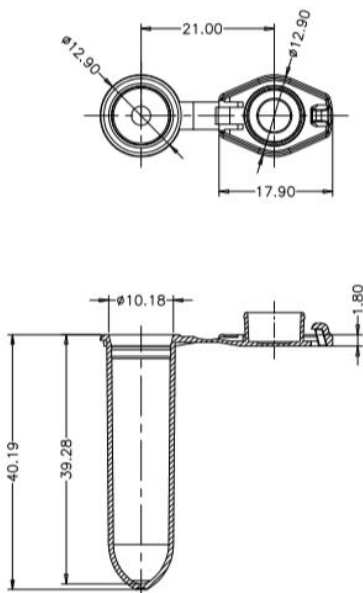
**0.6 mL**



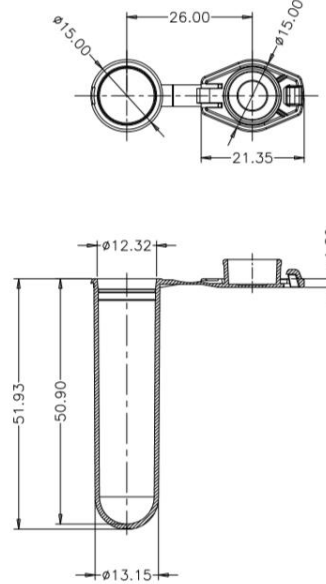
**1.5 mL**



**2.0mL**



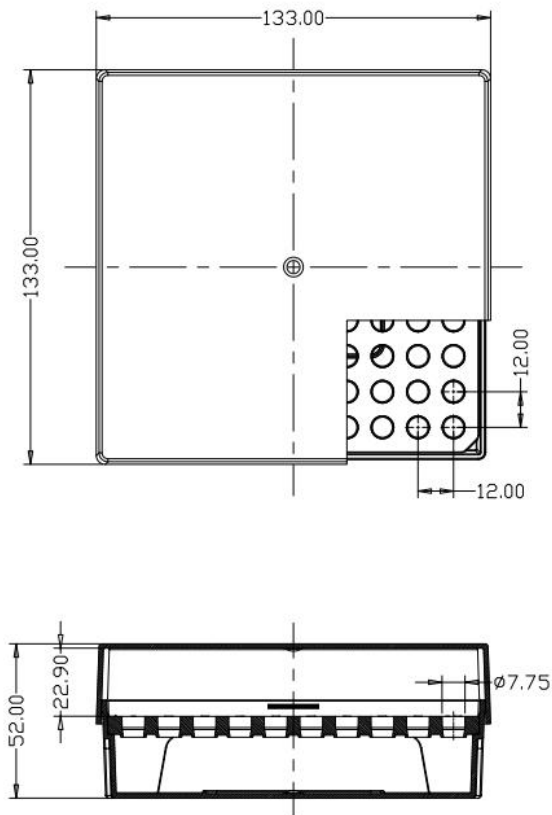
**5.0 mL**



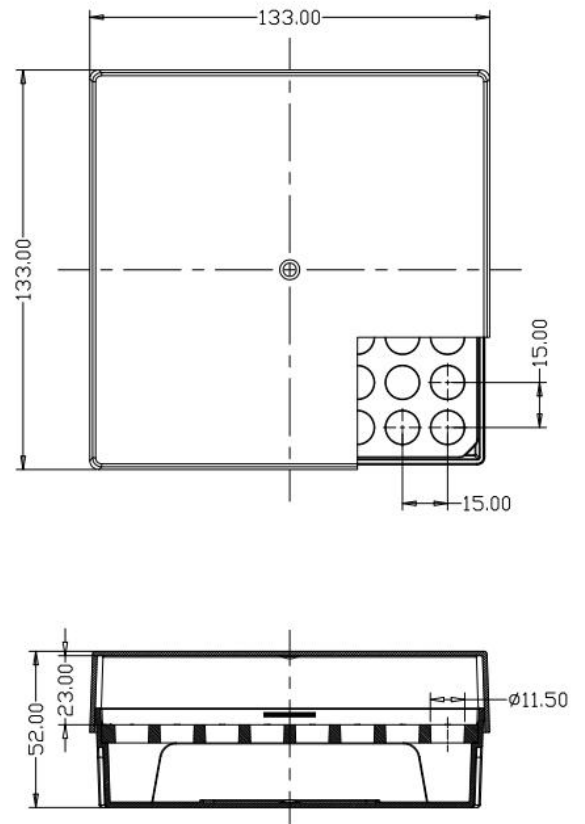
**Head Office** No. 530, Xida Road, Meicun Industrial Park, Xinwu District, Wuxi, Jiangsu, China  
 Tel: +86+ 510-6800 6788 Email: [info@nest-wuxi.com](mailto:info@nest-wuxi.com)  
 Online: [www.cell-nest.com](http://www.cell-nest.com)

**Oversea** NEST USA (New Jersey/ Phoenix)  
 NEST scientific 株式会社 (Yokohama, Japan)  
 NEST Scientific Europe B.V (Netherlands)  
 Nest Scientific (MENA) FZE (Sharjah, United Arab Emirates)

0.6ml Micro Centrifuge Tube Box(10\*10)



1.5/2.0ml Micro Centrifuge Tube Box(8\*8)



**Head Office**

No. 530, Xida Road, Meicun Industrial Park, Xinwu District, Wuxi, Jiangsu, China  
 Tel: +86+ 510-6800 6788 Email: [info@nest-wuxi.com](mailto:info@nest-wuxi.com)  
 Online: [www.cell-nest.com](http://www.cell-nest.com)

**Oversea**

NEST USA (New Jersey/ Phoenix)  
 NEST scientific 株式会社 (Yokohama, Japan)  
 NEST Scientific Europe B.V (Netherlands)  
 Nest Scientific (MENA) FZE (Sharjah, United Arab Emirates)