

<b>Product Name:</b>	<b>Peripheral blood lymphocyte separation tube</b>
<b>Product Application:</b>	This product adopts density gradient centrifugation, according to the difference in cell density, with the help of separation solution and centrifuge, cell separation and purification. The cell separation solution produces a certain degree of density gradient, and after centrifugation, red blood cells and granulocytes settle at the bottom of the tube; PBMCs (mononuclear cells, including lymphocytes and monocytes, etc.) float on the surface of the isolate, the cells of interest remain on the designed nest, and the unique nesting in the separation tube minimizes the mixing of the sample of interest and density ladder media, and finally simply pours it out of the centrifuge tube without the need for other technical expertise.
<b>Product Materials:</b>	<b>HDPE (cap) + PP (tube) + PC (nested).</b> Meets USP, Class VI standards
<b>Product Specifications:</b>	Temperature range: Store at room temperature Shelf life: 3 years after the date of production
<b>Sterilization:</b>	<b>Yes.</b> Sterilized by E-beam, Sterility Assurance Level: SAL=10 <sup>-6</sup> . The product has been irradiated and dosimetrically released based on ANSI/AAMI/ISO 11137
<b>Pyrogens:</b>	Non-Pyrogenic
<b>RNase/DNase:</b>	DNase/RNase free
<b>BSE/TSE:</b>	These products are deemed animal free.
<b>Performance Testing:</b>	Each manufacturing lot is sampled and tested following standard operating procedures. Appearance inspection: qualified                      Seal test: qualified Cell separation test: qualified                      Package inspection: qualified
<b>Features</b>	1. Fast separation, PBMC sorting in as little as 15 minutes. 2. Simple operation, no need to slowly and laboriously apply samples to the density gradient centrifuge level, and collect samples simply by simply pouring them from the centrifuge tube, without the need for other technical expertise.

**Head Office** No. 530, Xida Road, Meicun Industrial Park, Xinwu District, Wuxi, Jiangsu, China  
Tel: +86+ 510-6800 6788 Email: [info@nest-wuxi.com](mailto:info@nest-wuxi.com) Online: [www.cell-nest.com](http://www.cell-nest.com)

**Overseas** NEST USA (New Jersey/ Phoenix)  
NEST scientific 株式会社 (Yokohama, Japan)  
NEST Scientific Europe B.V (Netherlands)  
Nest Scientific (MENA) FZE (Sharjah, United Arab Emirates)

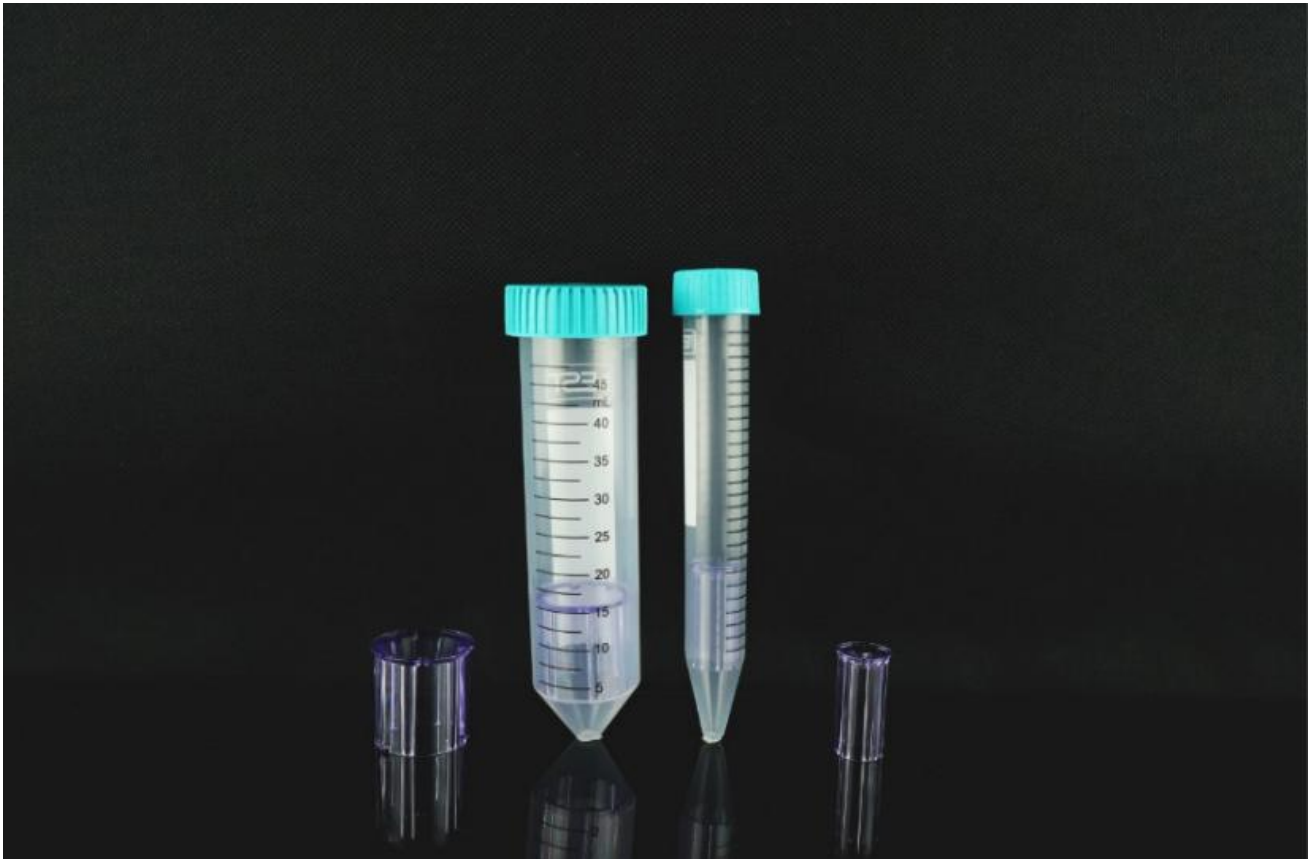
ISO9001 & ISO13485 & ISO11137

3. Good consistency, reduce errors, reduce operation differences between different users.

**Product range**

Cat. No.	Volume (ml)	Packaging	Max.RCF(xg)	/Pack	/Case
601852	15	Bags	12000	50	10
602852	50	Bags	12000	25	20
601851	15	Bags	12000	50	3
602851	50	Bags	12000	25	4

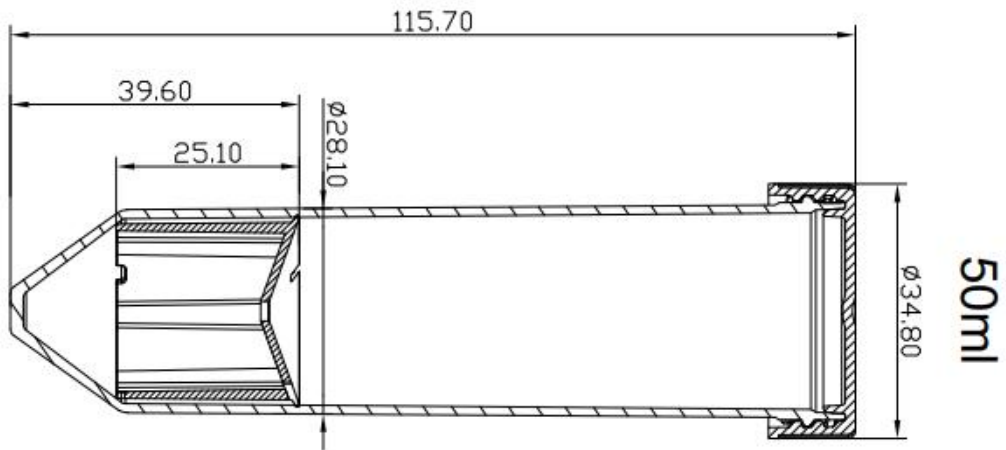
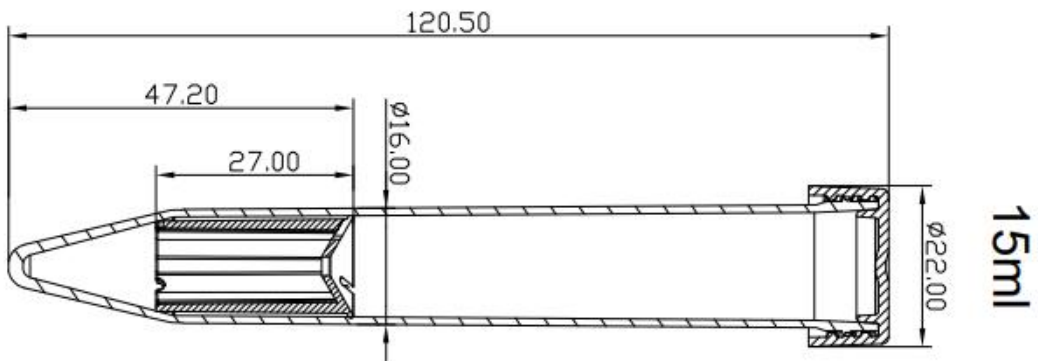
**Product diagram**



**Technical drawings**

**Head Office** No. 530, Xida Road, Meicun Industrial Park, Xinwu District, Wuxi, Jiangsu, China  
 Tel: +86+ 510-6800 6788 Email: [info@nest-wuxi.com](mailto:info@nest-wuxi.com) Online: [www.cell-nest.com](http://www.cell-nest.com)

**Overseas** NEST USA (New Jersey/ Phoenix)  
 NEST scientific 株式会社 (Yokohama,Japan)  
 NEST Scientific Europe B.V (Netherlands)  
 Nest Scientific (MENA) FZE (Sharjah , United Arab Emirates)



**Head Office**

No. 530, Xida Road, Meicun Industrial Park, Xinwu District, Wuxi, Jiangsu, China

Tel: +86+ 510-6800 6788 Email: [info@nest-wuxi.com](mailto:info@nest-wuxi.com) Online: [www.cell-nest.com](http://www.cell-nest.com)

**Overseas**

NEST USA (New Jersey/ Phoenix)  
NEST scientific 株式会社 (Yokohama, Japan)  
NEST Scientific Europe B.V (Netherlands)

Nest Scientific (MENA) FZE (Sharjah, United Arab Emirates)